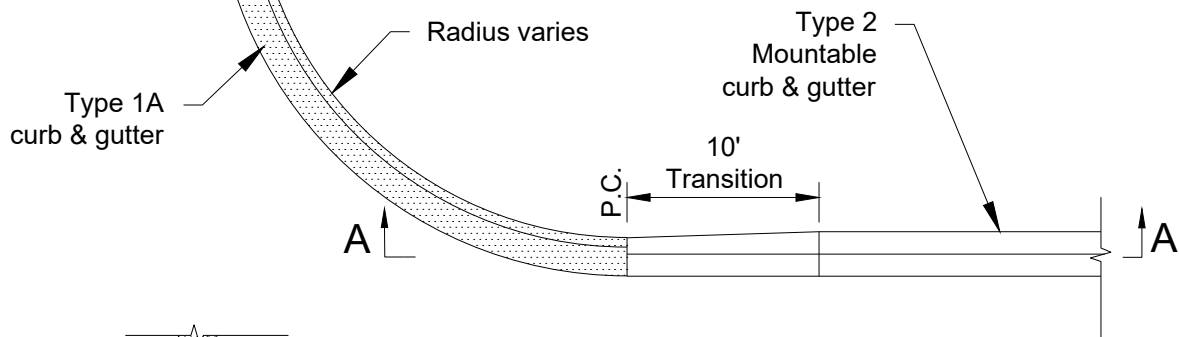
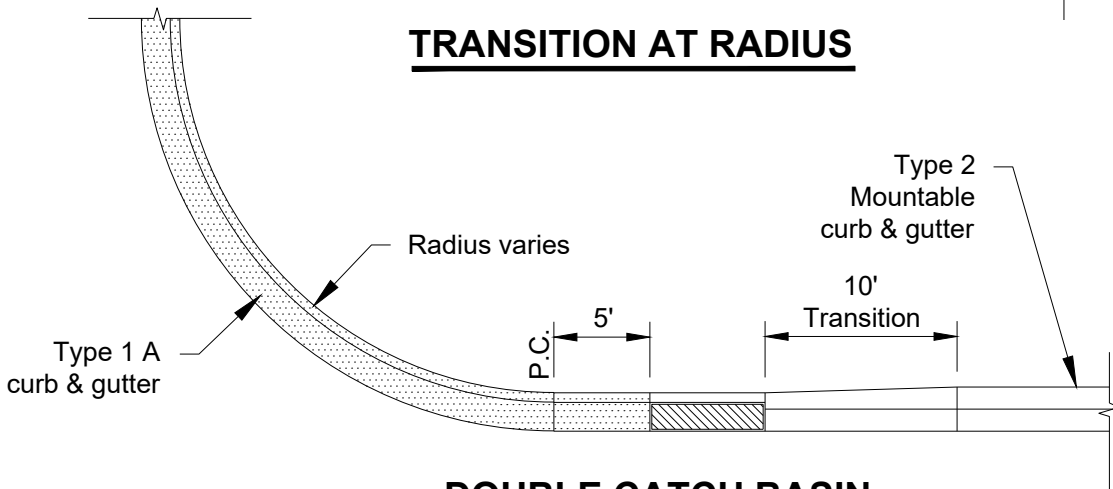


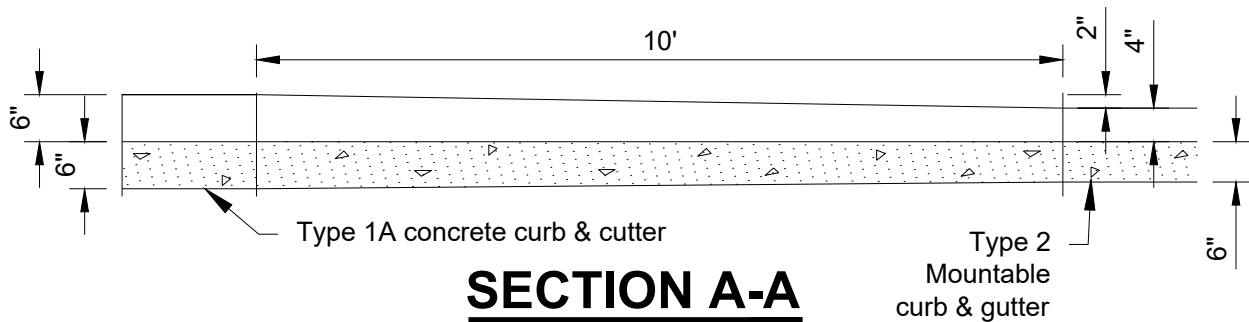
CATCH BASIN AT P.C. or P.T.



TRANSITION AT RADIUS



DOUBLE CATCH BASIN



SECTION A-A

M:\STANDARD SPECS & DETAILS\2021\Detail\STR-3 MOUNTABLE CURB & GUTTER TRANSITION.dwg

City Plate No.:
STR-3
Last Revision:
12/18/2020
Section:
3200

**STANDARD DETAILS
MOUNTABLE CURB &
GUTTER TRANSITION**

