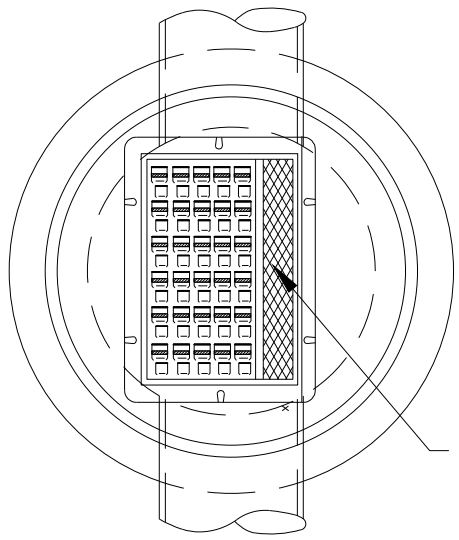


M:\STANDARD SPECS & DETAIL\SI\021\Details\STO-5_CATCH BASIN MANHOLE CURB AND GUTTER INSTALLATION.dwg



Dimension from back of curb to center of pipe where cone section is used	
Manhole diameter	Measurement
4'	9" in from back of curb
5'	3" in from back of curb
6'	3" behind back of curb
7'	9" behind back of curb
8'	15" behind back of curb

24" X 36" slab opening for Neenah R3067-L or equal.

Neenah R3067-L casting or equal.

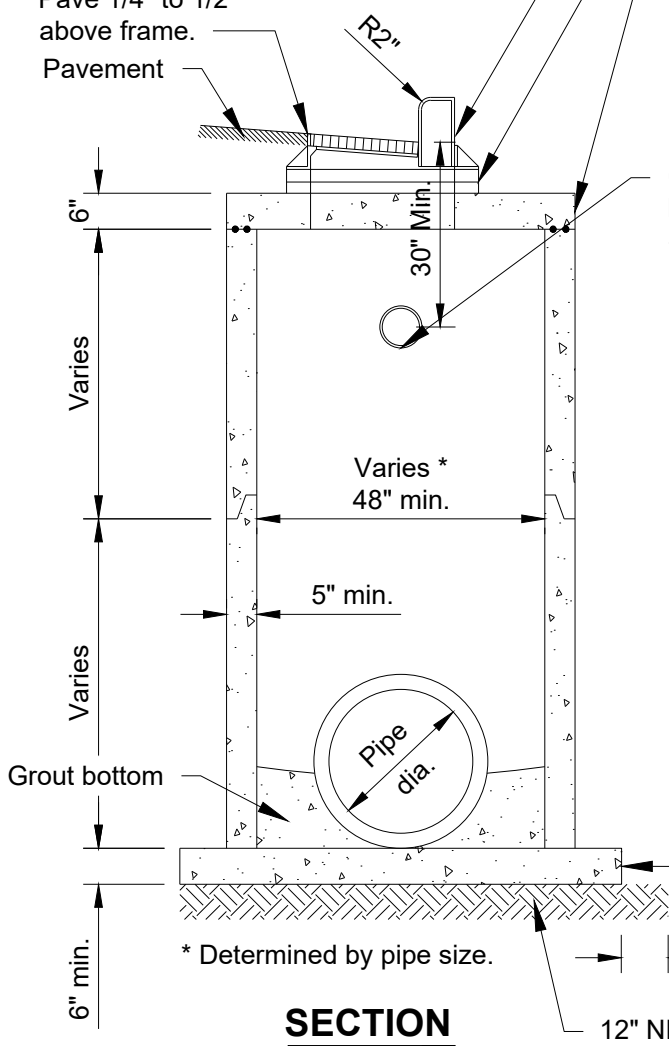
PLAN

Pave 1/4" to 1/2" above frame.
Pavement

Concrete adjustment rings per STR-1 detail.

6" min. Precast reinforced concrete slab (or cone section). Top of barrel section under top slab to have flat top edge sealed with 2 beads of premium butyl rubber sealant.

6" Perforated PVC pipe protruding 1" inside Structure (Both Sides)



Notes:

1. Doghouses shall be grouted on both the inside and outside.
2. Precast concrete sections only. No block structures are allowed.
3. Rubber gaskets or premium butyl rubber joint sealant on all riser section joints.
3. Drain tile holes to be precast or core drilled.
4. When drain tile location conflicts with other pipe connections, core drill holes in the field elsewhere in the catch basin. flow must be maintained.

Minimum slab thickness, 6" for 14' depth. Increase thickness 1" for each 4' of depth greater than 14' and reinforce with 6" x 6" 10/10 mesh.

SECTION

12" NDDOT Class 3M aggregate base

City Plate No.:
STO-5
Last Revision:
12/18/2020
Section:
2700

**STANDARD DETAILS
CATCH BASIN MANHOLE
CURB & GUTTER INSTALLATION**

