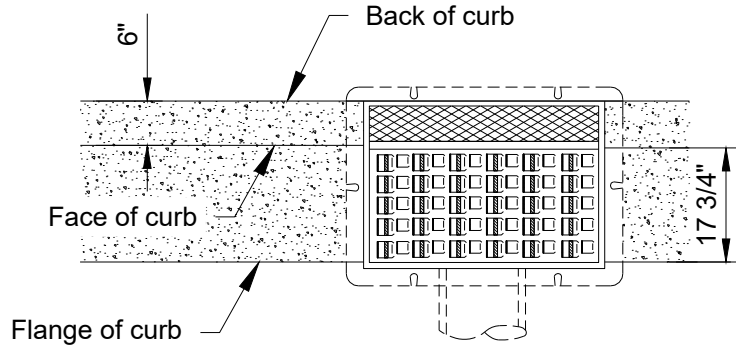
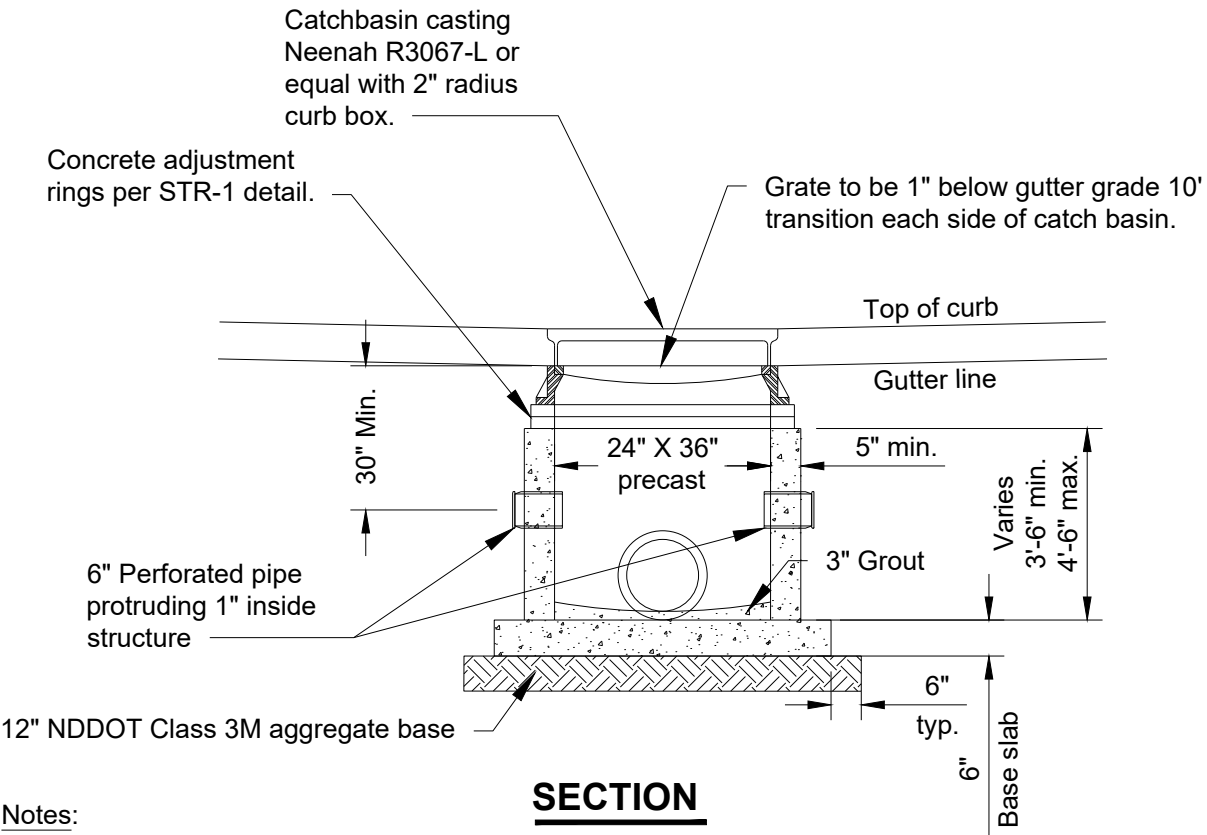


MA:STANDARD SPECS & DETAIL S/2021/Detail/STO-3\_CATCH BASIN CURB & GUTTER INSTALLATION.dwg



**PLAN**



**SECTION**

**Notes:**

1. Doghouses shall be grouted on both the inside and outside.
2. Precast concrete sections only. No block structures are allowed.
3. Drain tile holes to be precast or core drilled.
4. When drain tile location conflicts with other pipe connections, core drill holes in the field elsewhere in the catch basin. flow must be maintained.

City Plate No.: STO-3
Last Revision: 12/18/2020
Section: 2700

**STANDARD DETAILS  
CATCH BASIN  
CURB & GUTTER INSTALLATION**

