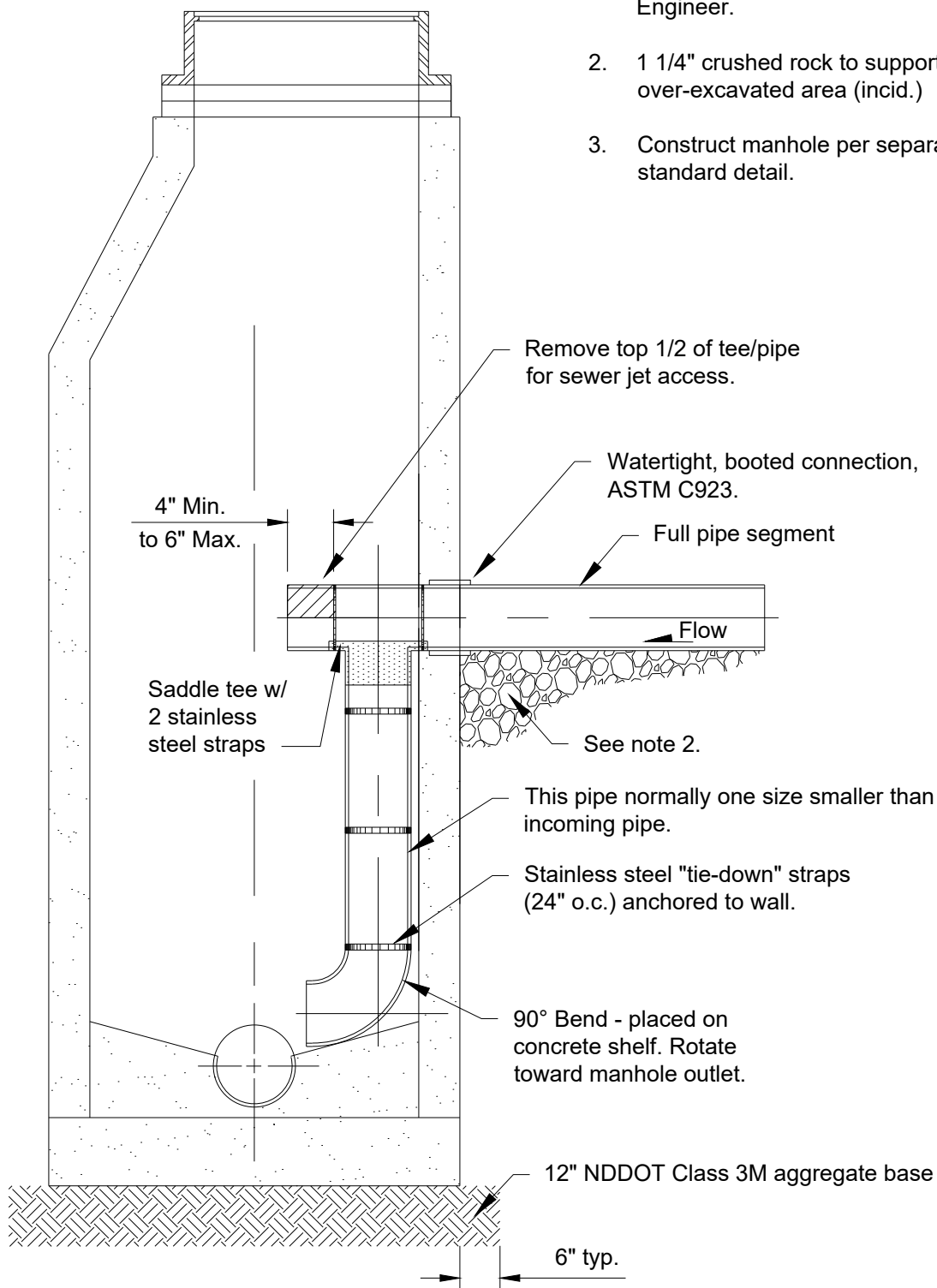


Notes:

1. The interior drop connection as shown will only be used with the expressed consent of the City Engineer.
2. 1 1/4" crushed rock to support pipe in over-excavated area (incid.)
3. Construct manhole per separate standard detail.



M:STANDARD\_SPECS.&\_DETAIL\_S\2021\Details\SAN-4\_SANITARY\_SEWER\_INSIDE\_DROP\_CONNECTION.dwg

City Plate No.:  
SAN-4  
Last Revision:  
12/18/2020  
Section:  
2300

**STANDARD DETAILS**  
**SANITARY SEWER**  
**INSIDE DROP CONNECTION**

