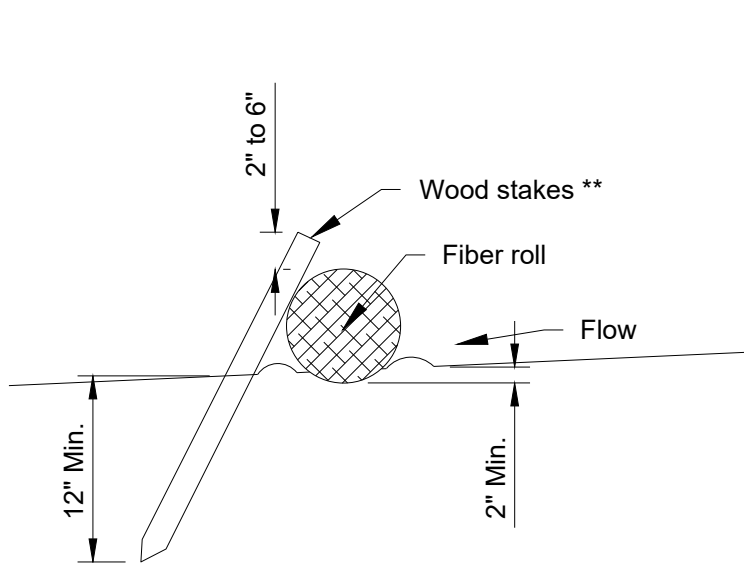
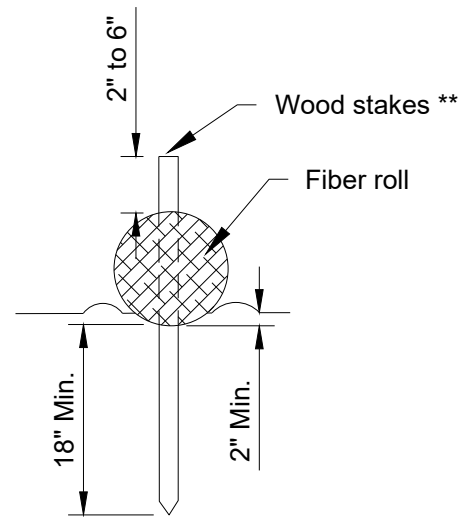


\* Optional weir - Use in flat areas where there is potential for water to be backed up on adjacent property.

### FIBER ROLL - DITCH BOTTOM



**SECTION A-A**



**SECTION B-B**

\*\* Stakes spaced every 3-4 feet max. Manufacturer may require stake through center of fiber roll. The fiber roll manufacturer's staking details supersede this staking detail.

M:\STANDARD SPECS & DETAILS\2021\Details\ERO-11\_EROSION CHECKS FIBER ROLLS.dwg

City Plate No.:  
ERO-11  
Last Revision:  
12/18/2020  
Section:  
1200

## STANDARD DETAILS EROSION CHECKS FIBER ROLLS

