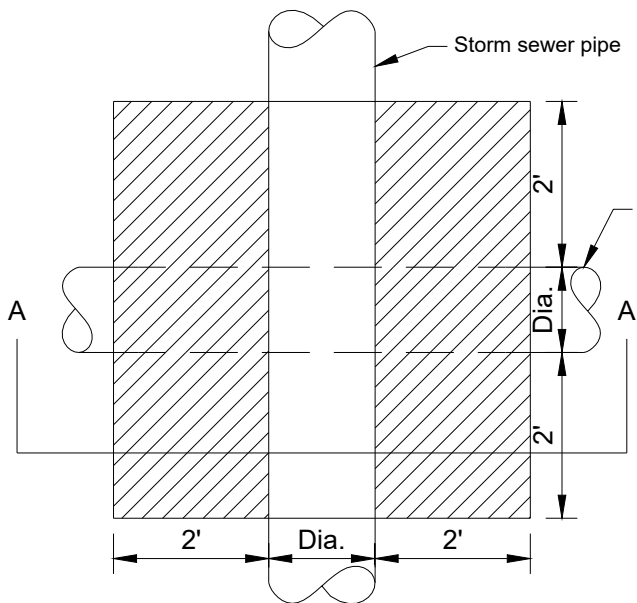
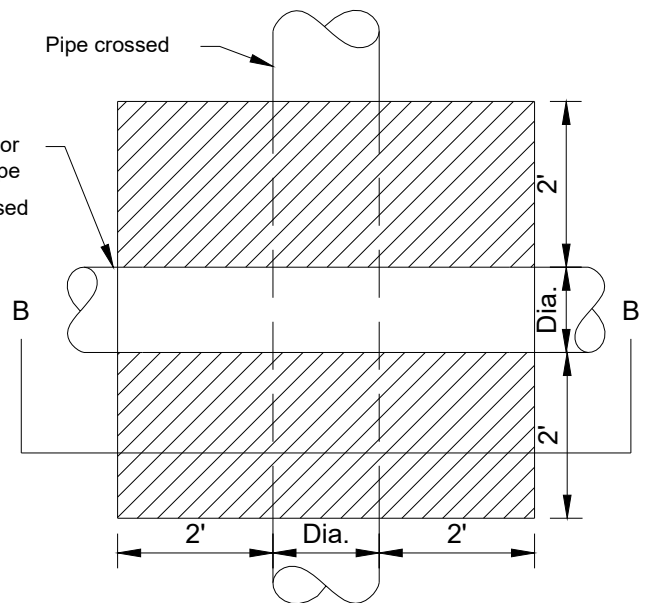


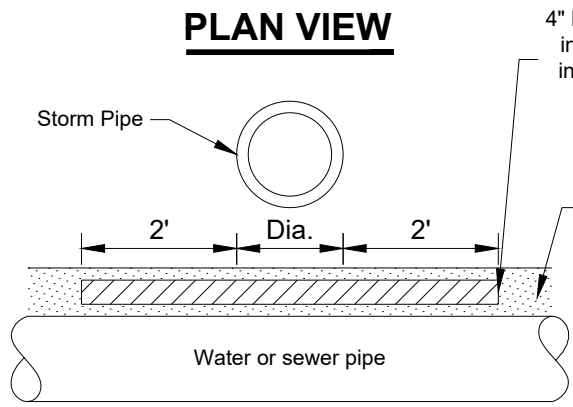
M:STANDARD SPECS & DETAIL S/2021/1Detail/RED-6 PIPE CROSSING INSULATION.dwg



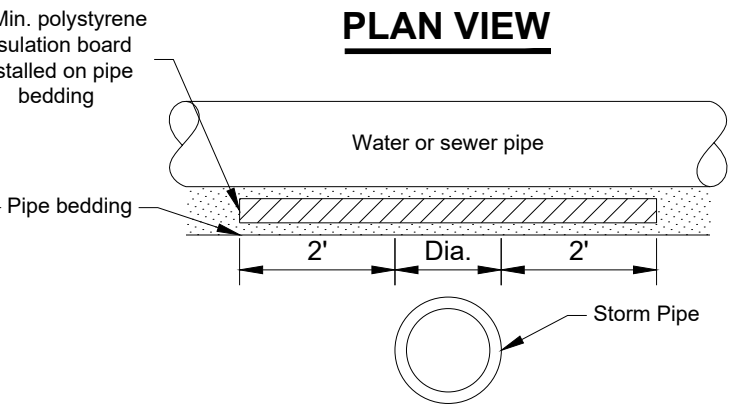
**PLAN VIEW**



**PLAN VIEW**



**SECTION A-A  
ABOVE CROSSING**



**SECTION B-B  
BELOW CROSSING**

**NOTES:**

1. This detail applies to both mains & services where crossing is within 2.5 feet of storm sewer.
2. When stacking insulation boards, stagger each layer such that all butt joints are overlapped by the layer above (18" min.)
3. Section B-B below crossing may require encasement insulation if water or sewer pipe cover is less than 8 feet.
4. May be insulated with an approved encasement insulation in lieu of detail.

City Plate No.: BED-6
Last Revision: 12/18/2020
Section: 2100, 2200, 2300, 2400

**STANDARD DETAILS  
INSULATION FOR STORM CROSSING**

