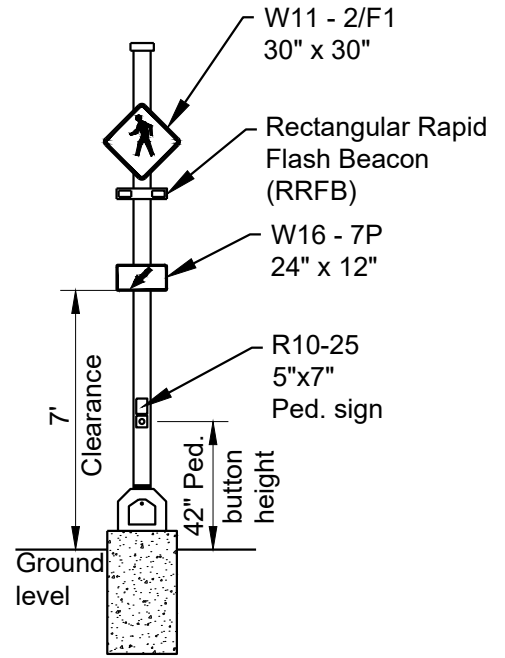


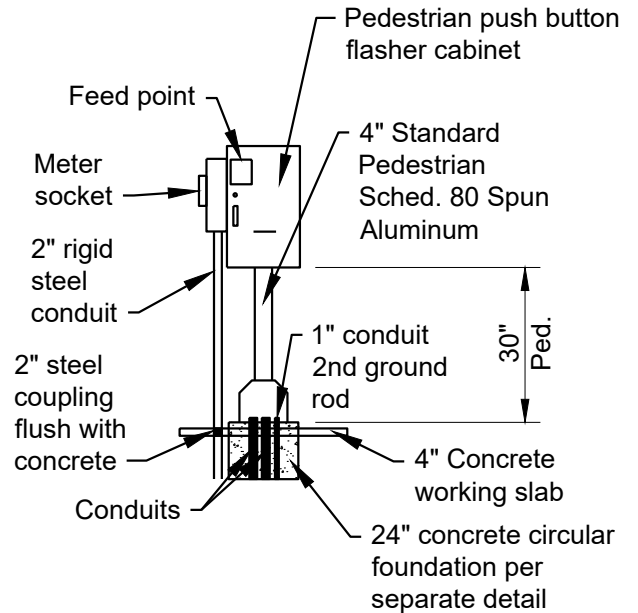
Notes:

1. Drill, tap and dye the pole and install signs with a 3/8" x 1" stainless steel hex bolt using a 3/8" stainless steel flat washer and a nylon washer.
2. Run No. 12 AWG 2 conductor from each head to the terminal block inside the T-base.
3. Install a No. 12 AWG 5 conductor from each pedestrian flasher terminal block to the flasher cabinet connections.
4. All center median island Type V flashers shall have 2 LED RRFB's and 2 pedestrian signs on Type V pole, one set facing each direction of traffic.
5. Install a No. 12 AWG 2 conductor from pedestrian push button to the flasher cabinet connections.

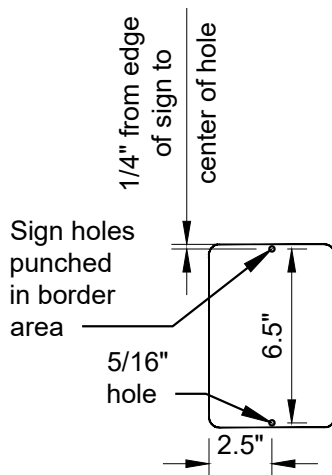


Cabinet Notes:

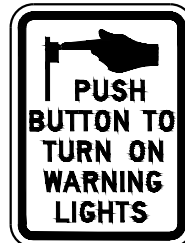
1. Cabinet shall be a push button activated flasher cabinet w/ HOA switch, with a flashing circuit panel, a general purpose relay, flasher relay and multifunction time delay relay.
2. Cabinet shall have its own 15 amp circuit breaker.



PEDESTAL MOUNTED CABINET



Mount sign with 1/4" stainless steel bolts with no washer



R10-25
5"x7"
Ped. sign

SIGNAGE

**STANDARD DETAILS
TYPE 'V' PEDESTRIAN FLASHER**

