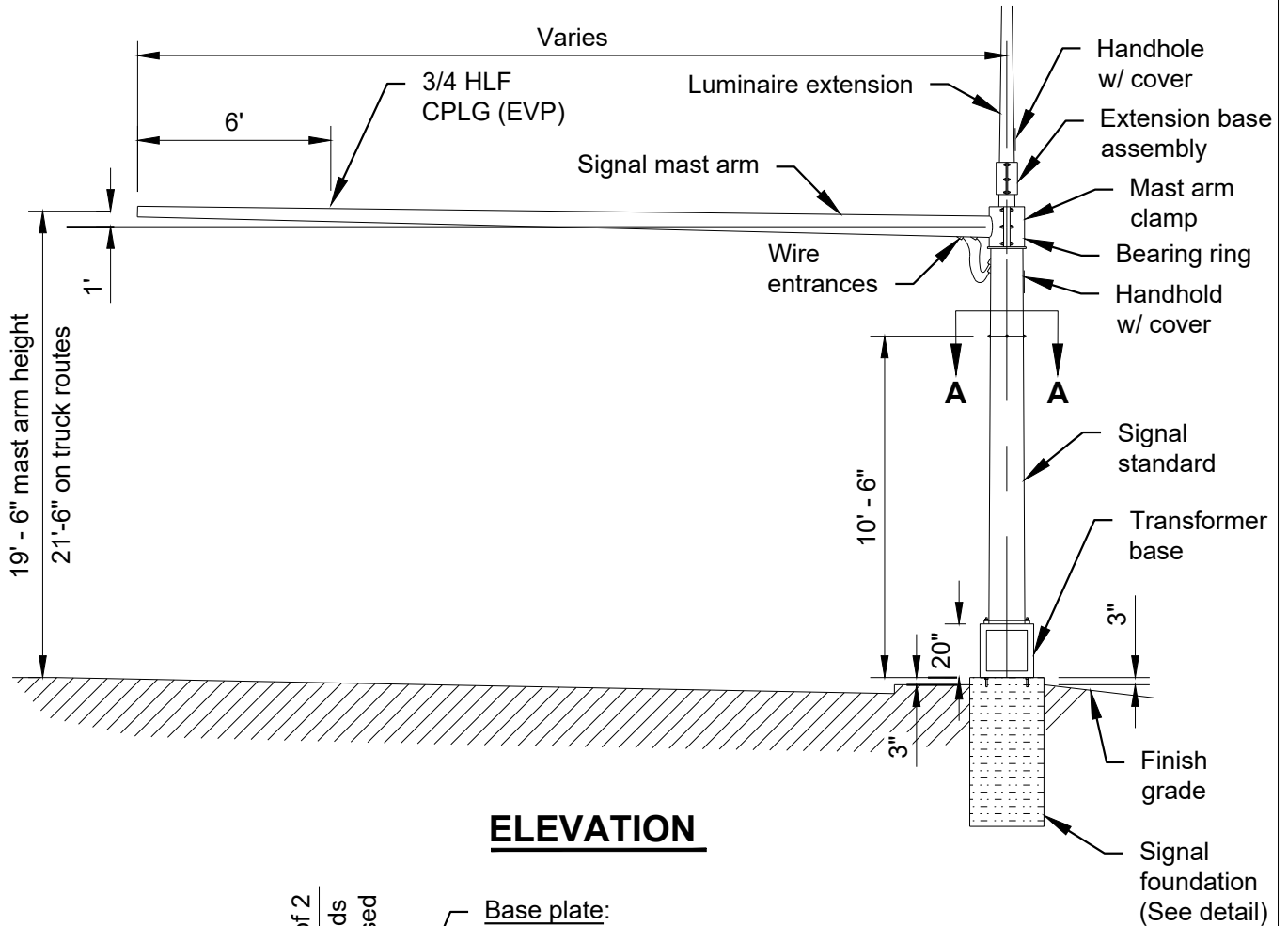
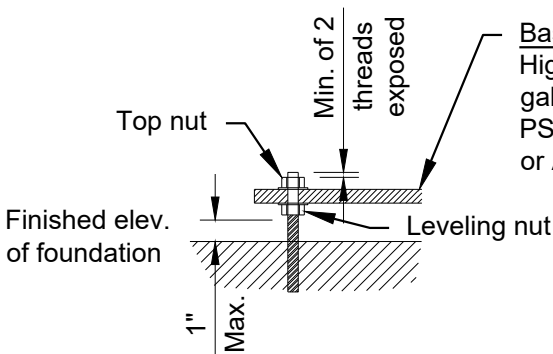


Notes:

1. Extension base assembly and luminaire extension apply to combination signal and light standard.
2. When a luminaire extension is not used, a removable cap shall be installed.
3. Mast arm material and finish shall match signal standards.

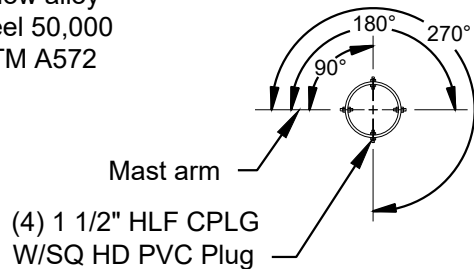


ELEVATION



ANCHOR BOLT

Base plate:
High strength low alloy
galvanized steel 50,000
PSI yield (ASTM A572
or A607)



SECTION A-A

M:STANDARD_SPECS & DETAILS\2021\Details\TRA-4B_SIGNAL_STANDARD_WITH_MAST_ARM_TYPE_IV & COMBINATION.dwg

City Plate No.: TRA-4B
Last Revision: 12/18/2020
Section: 3800

**STANDARD DETAILS
TYPE IV SIGNAL STANDARD WITH
MAST ARM AND COMBINATION**

