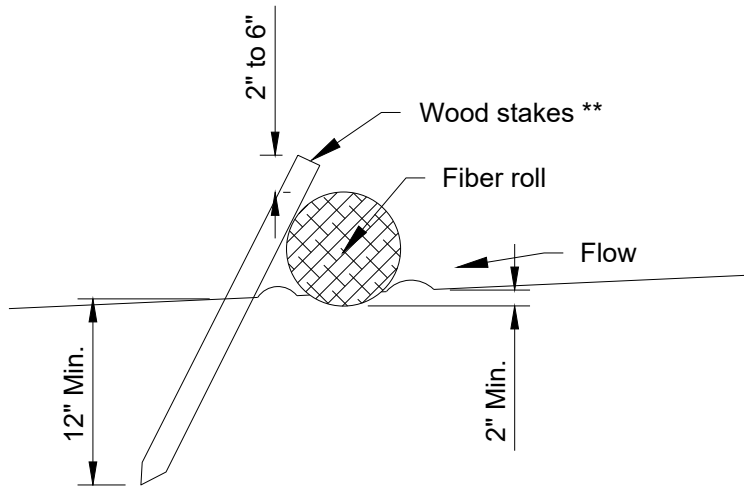
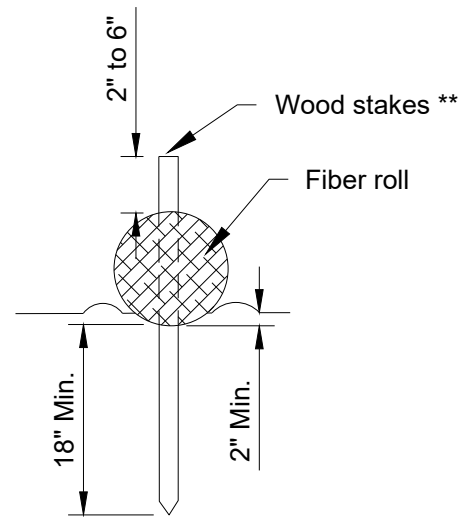


* Optional weir - Use in flat areas where there is potential for water to be backed up on adjacent property.

FIBER ROLL - DITCH BOTTOM



SECTION A-A



SECTION B-B

** Stakes spaced every 3-4 feet max. Manufacturer may require stake through center of fiber roll. The fiber roll manufacturer's staking details supersede this staking detail.

M:\STANDARD SPECS & DETAILS\2019\Detail Plates\ERO-11_EROSION CHECKS FIBER ROLLS.dwg

City Plate No.: ERO-11
Last Revision: 7/3/2019
File: ERO_11.dwg

STANDARD DETAILS EROSION CHECKS FIBER ROLLS

