

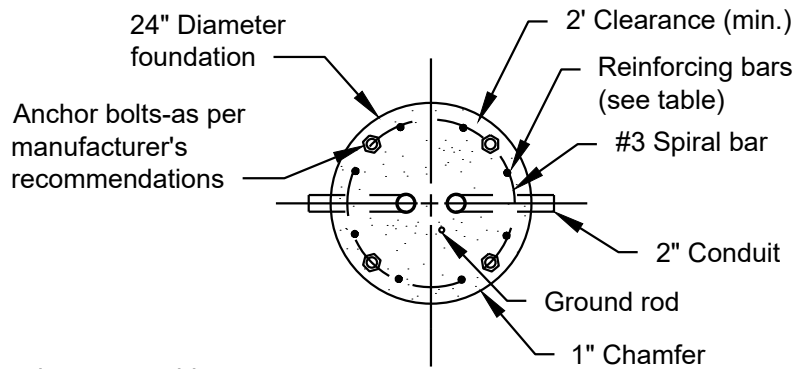
**Notes:**

1. No reinforcement is required if the anchor bolts extend to within 3" to 6" above the bottom of the foundation.
2. All reinforcing steel to be grade 40 or 60.
3. See plans for correct location of foundations. The grade and exact location shall be established by the engineer in the field.
4. Maximum bolt circle for the 24" foundation shall not exceed 18".
5. The top of the foundation shall be circular.

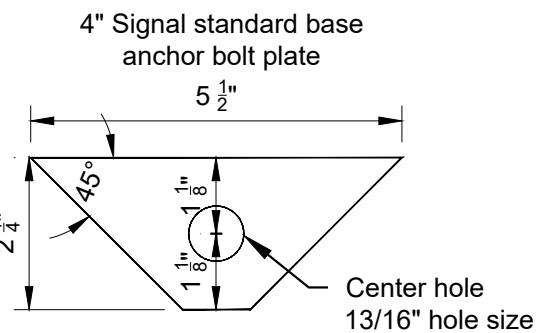
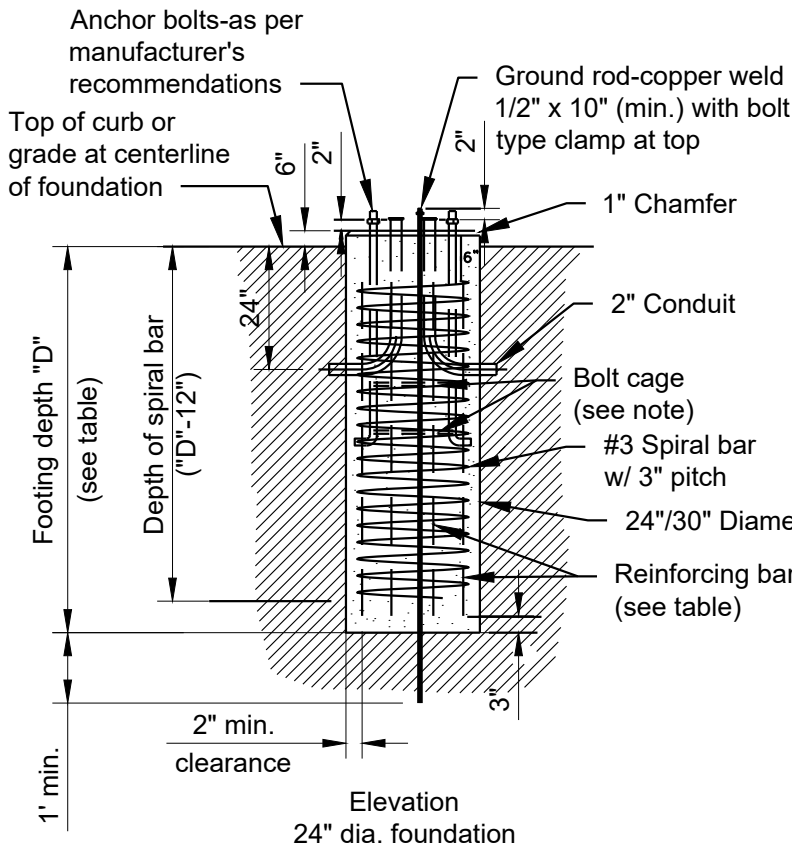
TRAFFIC SIGNAL STANDARD FOUNDATION SELECTION TABLE		
DESCRIPTION	24" DIAMETER REINFORCING BARS REQUIRED	24" DIAMETER FOOTING DEPTH "D"
TYPE V PED. FLASHER	4 - #5 Ⓛ	4'

**Concrete Foundation:**

Concrete used in the work shall be Class AE Portland Cement Concrete mixed and proportioned as specified in Section 802.



**PLAN**



**Notes:**

1. Cut from 1/4" wide galvanized steel.
2. This plate shall be installed between the base and the anchor bolt nut in all 4" Type V signal standard bases.

**SOLAR SCHOOL  
FLASHER FOUNDATION**

M:\STANDARD\_SPECS & DETAILS\SP2019\Detail\Flashes\TRA-8B - SOLAR SCHOOL\_ZONE\_FLASHER\_FOUNDATION.dwg

City Plate No.:  
TRA-8B  
Last Revision:  
7/2/2019  
File:  
TRA-8B.dwg

**STANDARD DETAILS  
SOLAR SCHOOL ZONE  
FLASHER FOUNDATION**

