

TYPE V-10' HEIGHT
PEDESTAL MOUNTED-PEDESTRIAN

Notes:

Clearance

Clearance from ground line or sidewalk to the bottom of post or pedestal mounted vehicular signal heads shall be 10'. Minimum from pedestrian signal shall be 8'.

Signal Heads

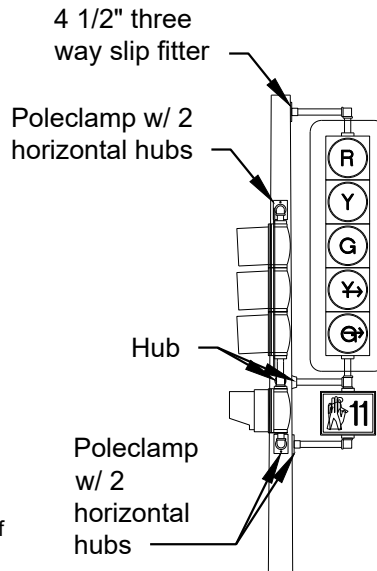
See traffic layout for correct mounting position, numbers, size, and arrangement of lenses.

Pole clamps

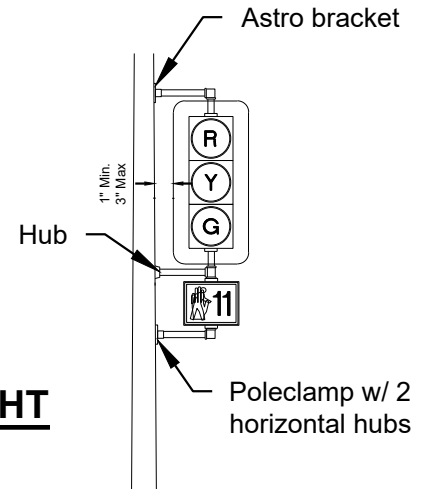
A pole plate with suitable banding material as approved by the Engineer shall be used.

Paint

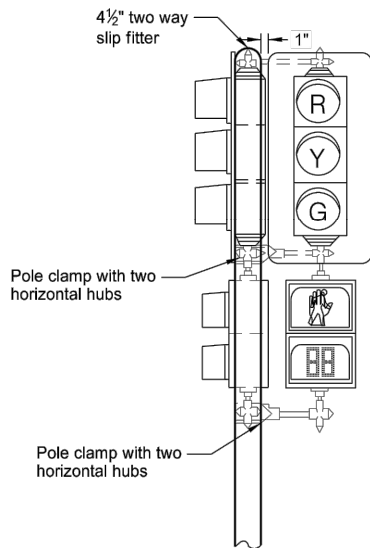
Signal housing shall be painted yellow or black, see plans. Back plate shall be painted flat black. Pole clamps and signal head mounting hardware shall be painted the same color as the signal standard shaft.



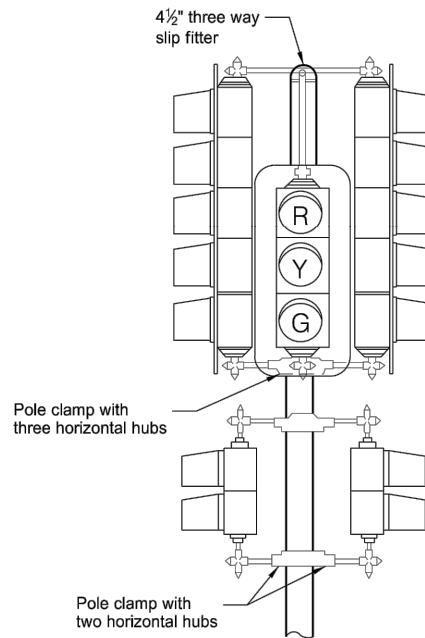
TYPE VI-17.5' HEIGHT
PEDESTAL MOUNTED-PEDESTRIAN
PEDESTAL MOUNTED-VEHICULAR



TYPE VI
PEDESTAL MOUNTED-PEDESTRIAN
PEDESTAL MOUNTED-VEHICULAR



TYPE V
POST MOUNTED-VEHICULAR
POST MOUNTED-PEDESTRIAN (A)



TYPE VII
POST MOUNTED-VEHICULAR
POST MOUNTED-PEDESTRIAN (A)

M:STANDARD_SPECS & DETAILS\2019\Detail\Plates\TRA-4D_SIGNAL_POLE_HEAD_MOUNTING.dwg

City Plate No.:
TRA-4D
Last Revision:
8/19/2019
File:
TRA-4D.dwg

STANDARD DETAILS
SIGNAL POLE HEAD MOUNTING

