

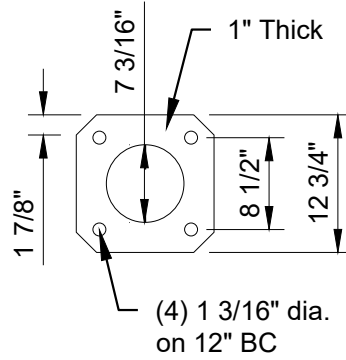
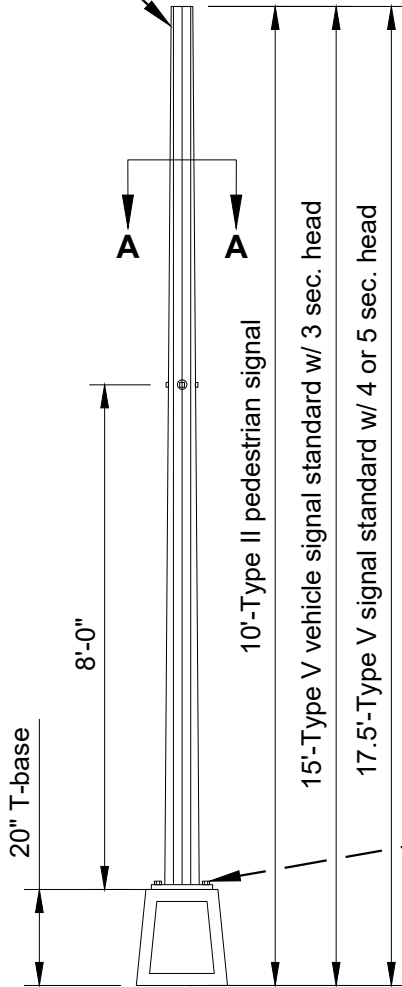
**Poles:**

All signal standards shall be manufactured by Millerbernd Manufacturing and have a T-base installed.

(4) 1 1/2" HLF CPLG  
W/SQ HD PVC Plug

**SECTION A-A**

3/16" x 7.17" x 4.5"  
x (100"/160"/190")



**POLE BASE PLATE**

**Notes:**

1. Poles shall be galvanized per standard specifications.
2. Pole material-high strength low alloy steel 50,000 psi min. yield per ASTM A572 or A1011 (A871 or A606 if self weathering) base plate material-36,000 psi min. yield per ASTM A36 (A588 if self weathering) shall be painted using the Millerbond I2/ZRU paint system with a top clear coat.

(4) 1-8NC x 3 1/2" LG HVY  
HX HD bolt, HVY HX nut &  
lockwasher (ASTM A325-GV)  
(Install HD up)

390C66 T-Base  
1" anchor bolts on  
15" BC w/ 4" Proj

**ELEVATION**

City Plate No.:  
TRA-4A  
Last Revision:  
7/29/2019  
File:  
TRA-4A.dwg

**STANDARD DETAILS  
SIGNAL STANDARDS**



M:STANDARD\_SPECS & DETAILS\2019\Detail\Plates\TRA-4A\_SIGNAL\_STANDARDS.dwg