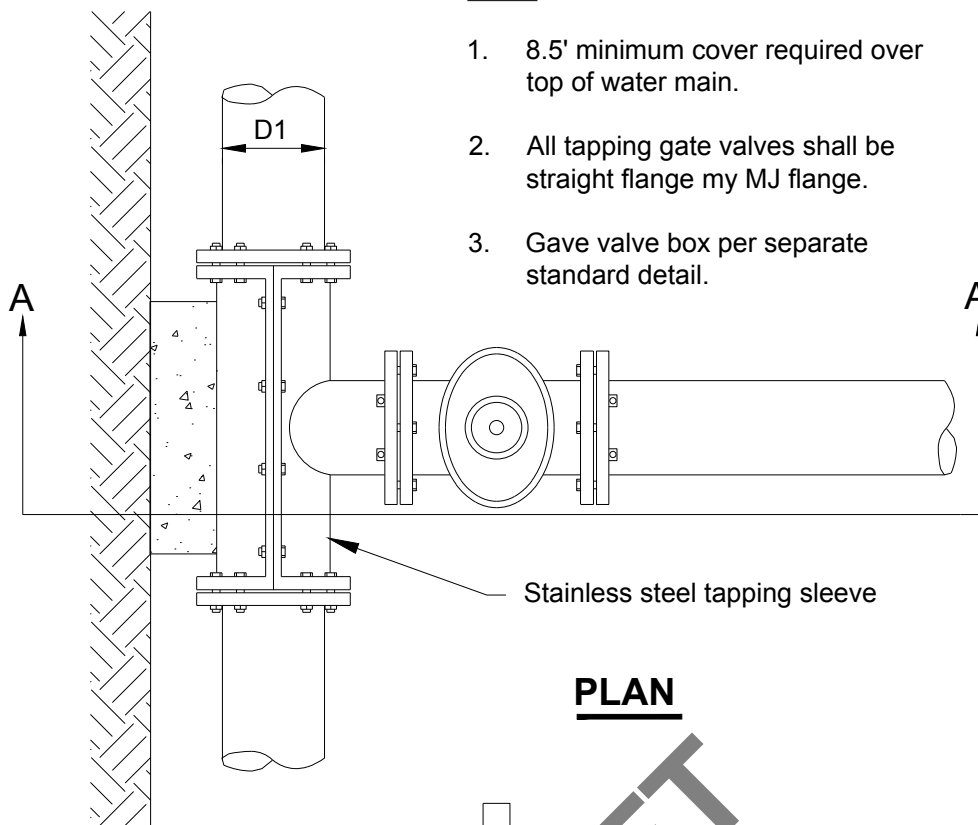


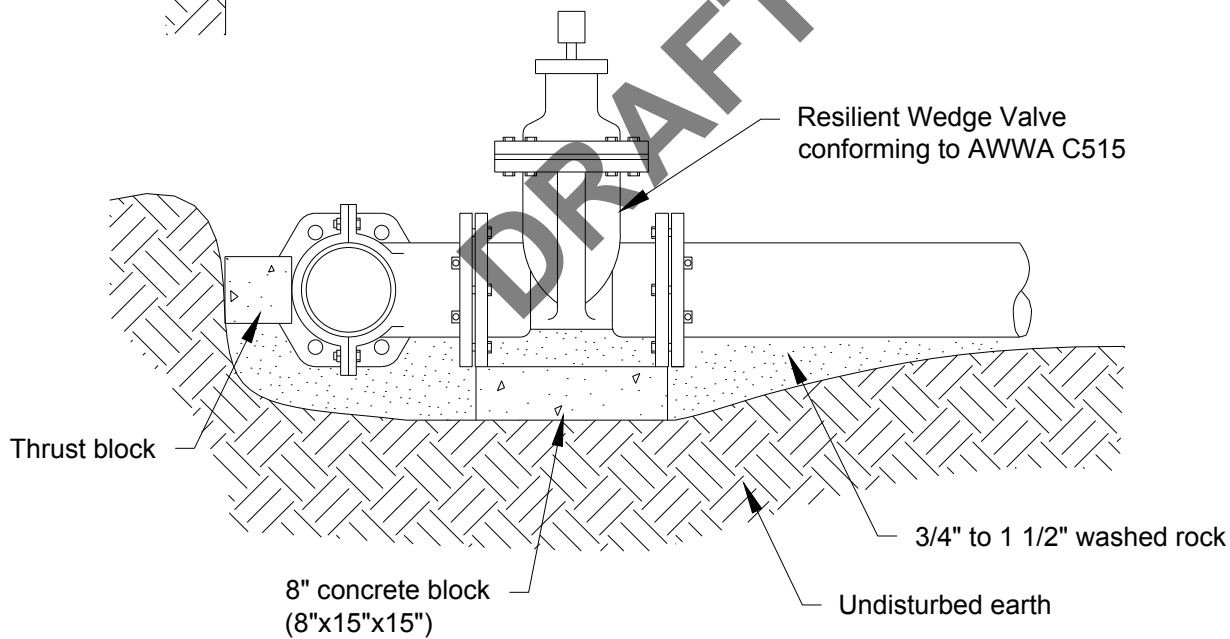
Notes:

1. 8.5' minimum cover required over top of water main.
2. All tapping gate valves shall be straight flange my MJ flange.
3. Gave valve box per separate standard detail.



Stainless steel tapping sleeve

PLAN



Resilient Wedge Valve conforming to AWWA C515

Thrust block

8" concrete block (8"x15"x15")

3/4" to 1 1/2" washed rock

Undisturbed earth

SECTION A-A

City Plate No.:
WAT-5
Last Revision:
4/11/2019
File:
WAT_5.dwg

STANDARD DETAILS
WATER MAIN
WET TAP

City of Minot
ENGINEERING DEPARTMENT