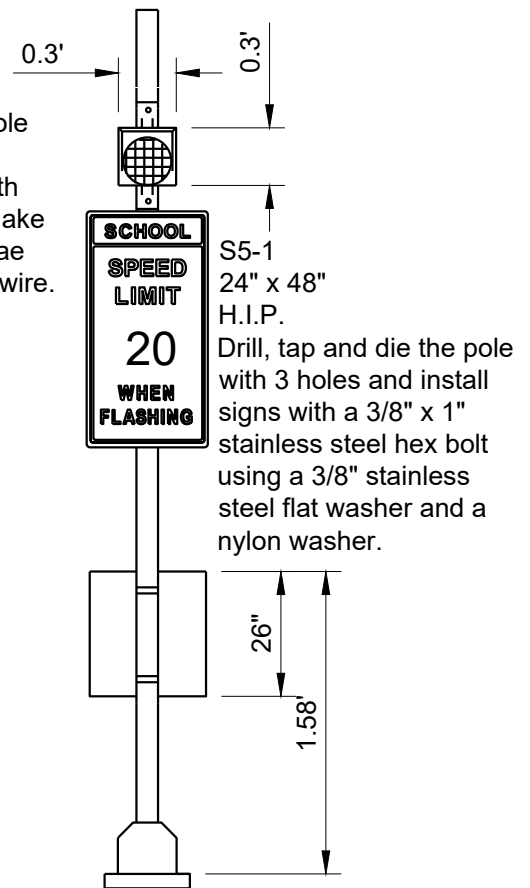
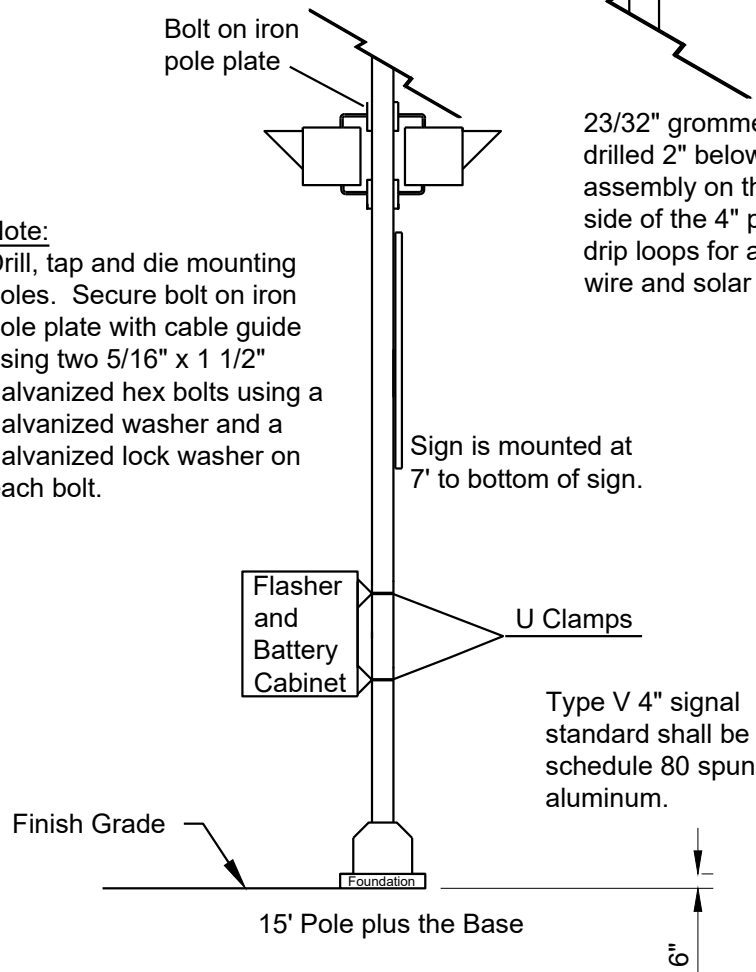


**Note:**  
 Drill, tap and die mounting holes. Secure bolt on iron pole plate with cable guide using two 5/16" x 1 1/2" galvanized hex bolts using a galvanized washer and a galvanized lock washer on each bolt.



M:\STANDARD SPECS & DETAILS\2019\Detail Plates\TRA-8A\_SOLAR SCHOOL ZONE FLASHER.dwg

City Plate No.:  
 TRA-8A  
 Last Revision:  
 4/18/2019  
 File:  
 TRA-8A.dwg

**STANDARD DETAILS**  
**SOLAR SCHOOL**  
**ZONE FLASHER**

