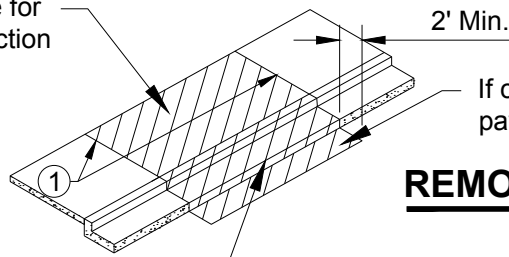


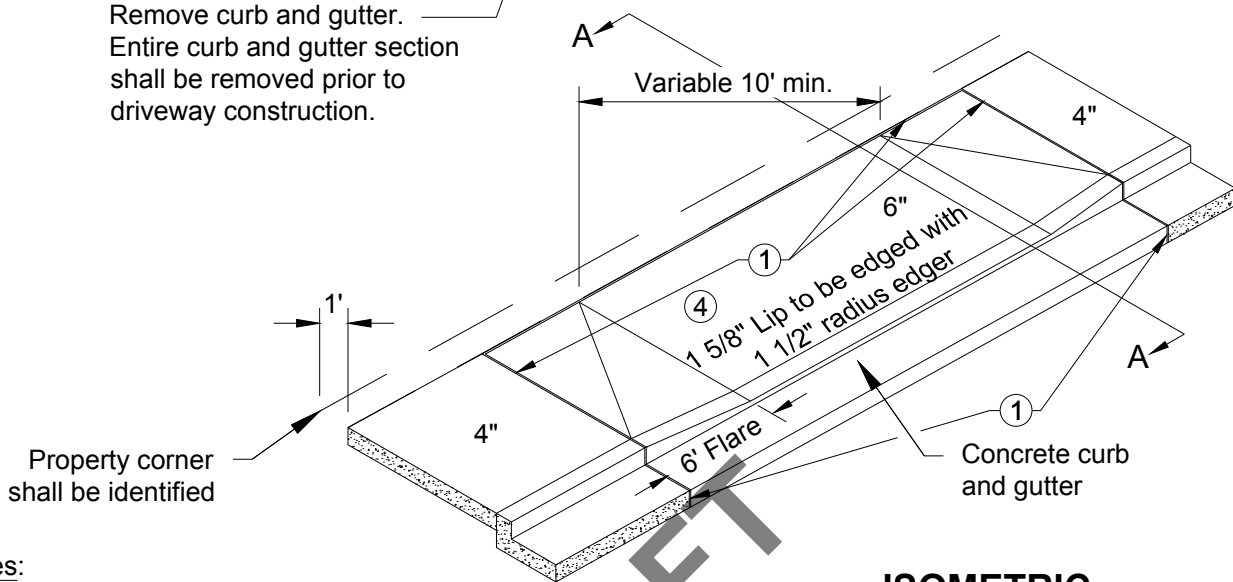
Remove concrete for driveway construction where required.



If curb cannot be removed clean, sawcut pavement and patch per section

REMOVALS

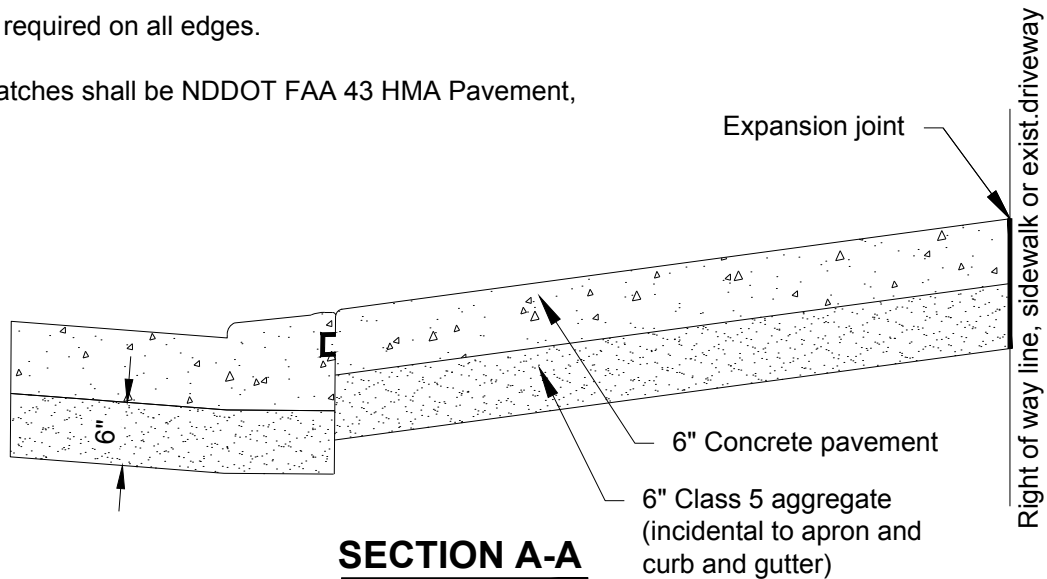
Remove curb and gutter. Entire curb and gutter section shall be removed prior to driveway construction.



ISOMETRIC

Notes:

1. Where connecting to existing, saw to full depth and install expansion joint, or remove and replace curb and gutter to nearest expansion joint.
2. Driveways greater than 10' wide shall have contraction joints perpendicular to curb with maximum 10' spacing. Match curb joints.
3. Forms are required on all edges.
4. All HMA patches shall be NDDOT FAA 43 HMA Pavement, PG 58-28.



SECTION A-A

C:\Users\traskgaard\Desktop\MINOT\DETAIL\STR-13 - CONCRETE DRIVEWAY APRON BOULEVARD 0 TO 1.5 FT.dwg

City Plate No.: STR-13
Last Revision: 4/10/2019
File: STR_13.dwg

**STANDARD DETAILS
CONCRETE DRIVEWAY APRON
BOULEVARD 0 to 1.5 FT**

