

TYPICAL CONCRETE SIDEWALK

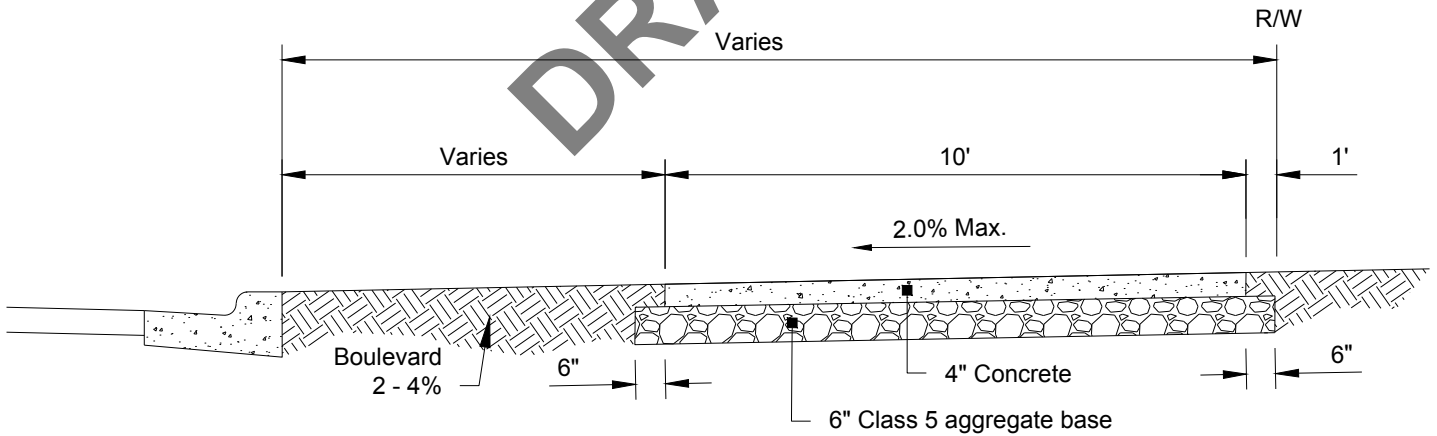
Notes:

1. Light broom finish perpendicular to curb.
2. Tooled or sawed joints to min. depth of 3/4".
3. Joint spacing:

Sidewalk/Path Width	L x W
5'	5' x 5'
6'	5' x 6'
*8'	4.5' x 4'
*10'	5' x 5'

* 18" long #4 tie bars @ 18" o.c. along center joint

DRAFT



TYPICAL CONCRETE SHARED USE PATH

C:\Users\skearard\Desktop\MINOT DETAIL\STR-7. SIDEWALKS AND PATHWAYS.dwg

City Plate No.:
STR-7
Last Revision:
4/11/2019
File:
STR_7.dwg

**STANDARD DETAILS
SIDEWALKS AND PATHWAYS**

