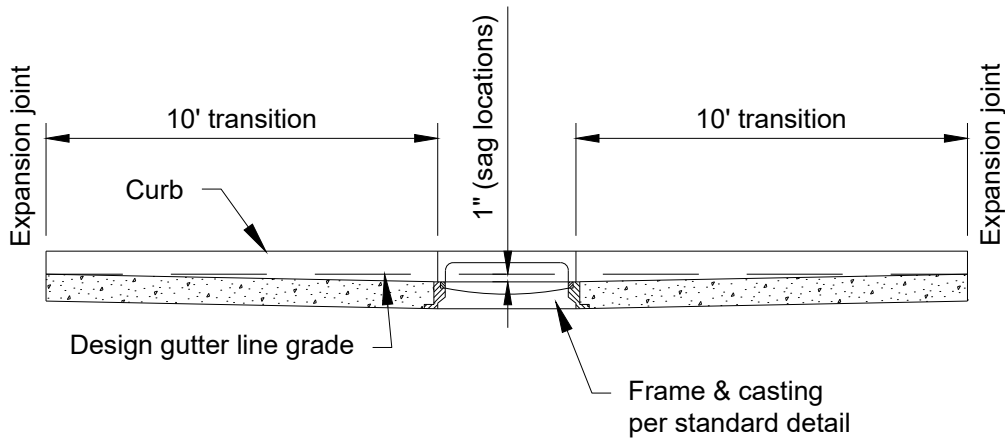


Notes:

1. At sag locations, catch basin rim to be depressed 1" below design gutter line grade.
2. 4" opening max.

ISOMETRIC



SECTION A-A

MASTANDARD SPECS & DETAIL S2019\Detail Plates\STR-5 TYPE I CURB AND GUTTER AT CATCHBASINS.dwg

City Plate No.:
STR-5
Last Revision:
6/5/2019
File:
STR_5.dwg

**STANDARD DETAILS
TYPE I CURB AND GUTTER
AT CATCHBASINS**

