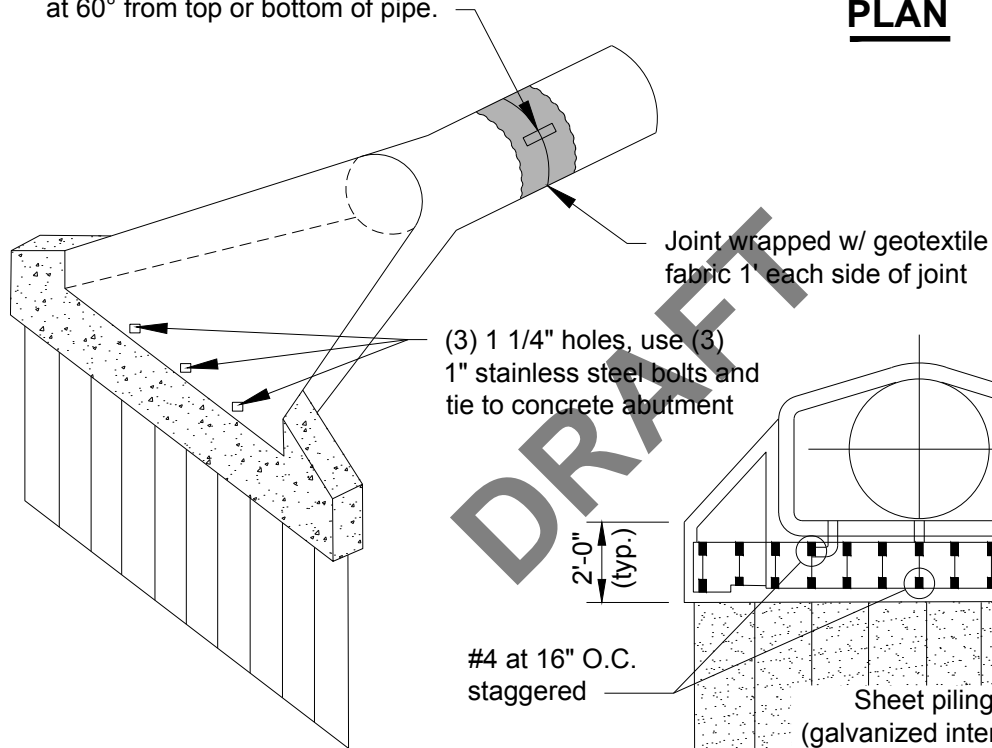


PLAN

Tie last 3 pipe joints. Use 2 tie bolt fasteners per joint installed at 60° from top or bottom of pipe.



ELEVATION

PILING FOR FLARED END SECTION

City Plate No.:
STO-12

Last Revision:
4/11/2019

File:
STO_12.dwg

STANDARD DETAILS
F.E.S. CUTOFF WALL

City of Minot
ENGINEERING DEPARTMENT