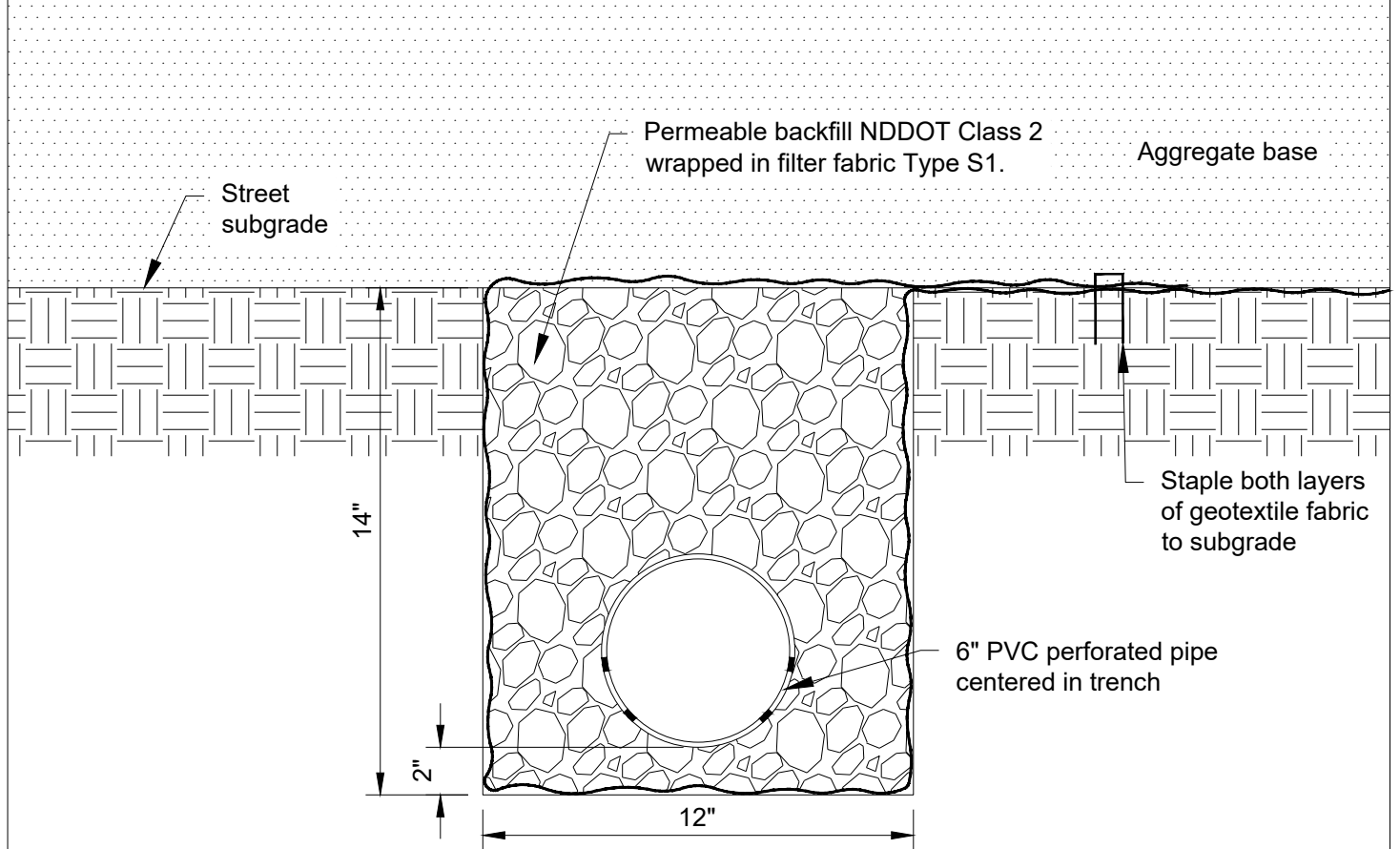
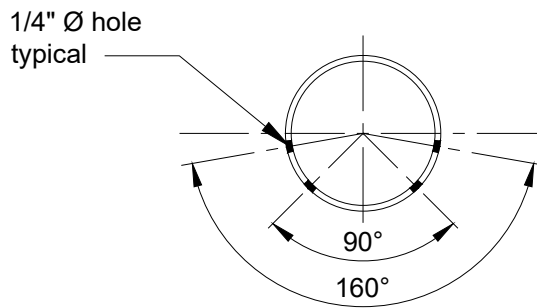


MA:STANDARD SPECS & DETAIL S(2019)Detail Pipes(STO-9)\_DRAIN TILE.dwg



**TRENCH DETAIL**



**PIPE DETAIL**

City Plate No.:  
STO-9

Last Revision:  
6/5/2019

File:  
STO\_9.dwg

**STANDARD DETAILS**  
**DRAIN TILE**

