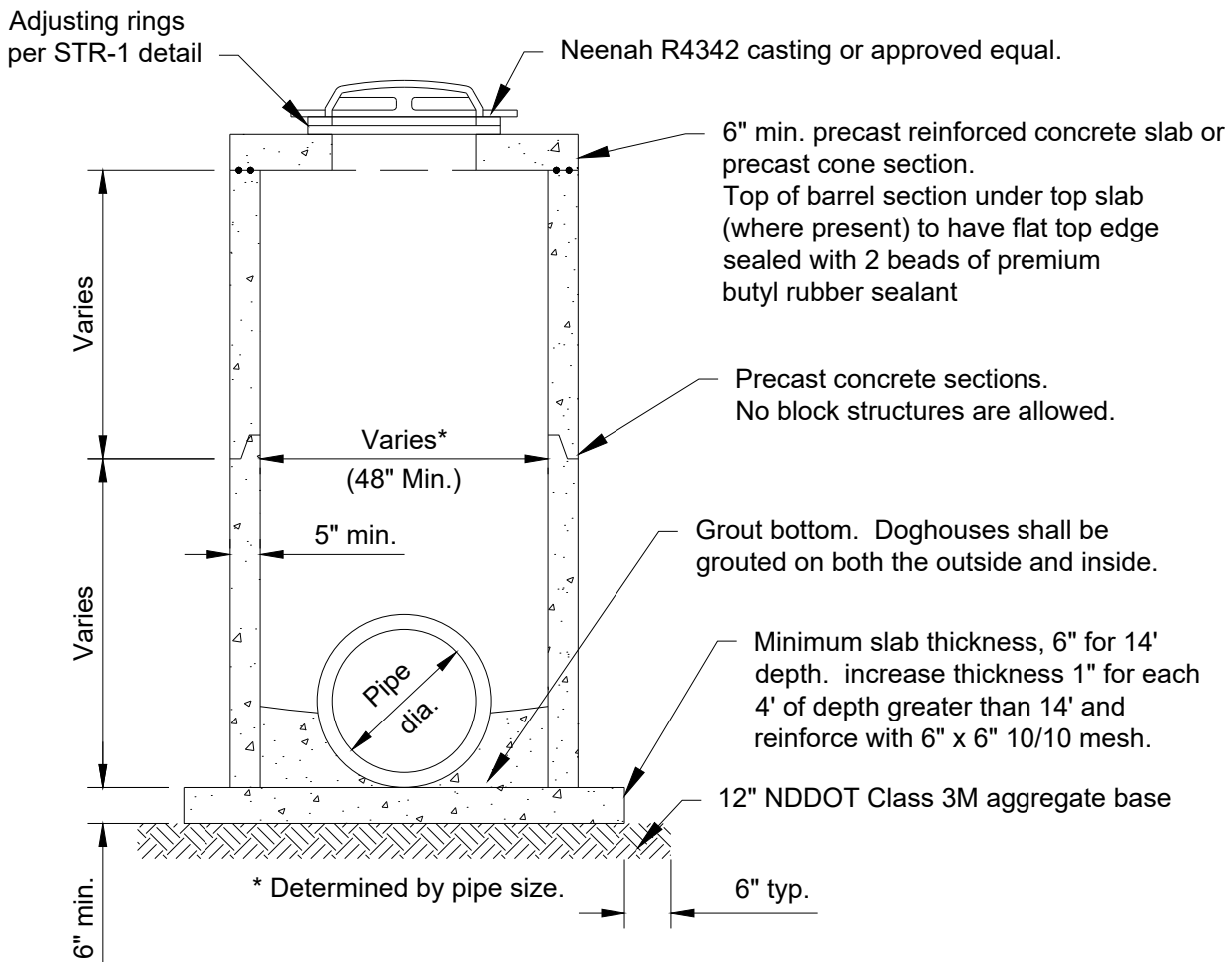


PLAN



SECTION

M:\STANDARD_SPECS & DETAIL_S\2019\Detail_Plates\STO-6_CATCH BASIN MANHOLE TURF INSTALLATION.dwg

City Plate No.:
STO-6

Last Revision:
6/5/2019

File:
STO_6.dwg

**STANDARD DETAILS
CATCH BASIN MANHOLE
TURF INSTALLATION**

