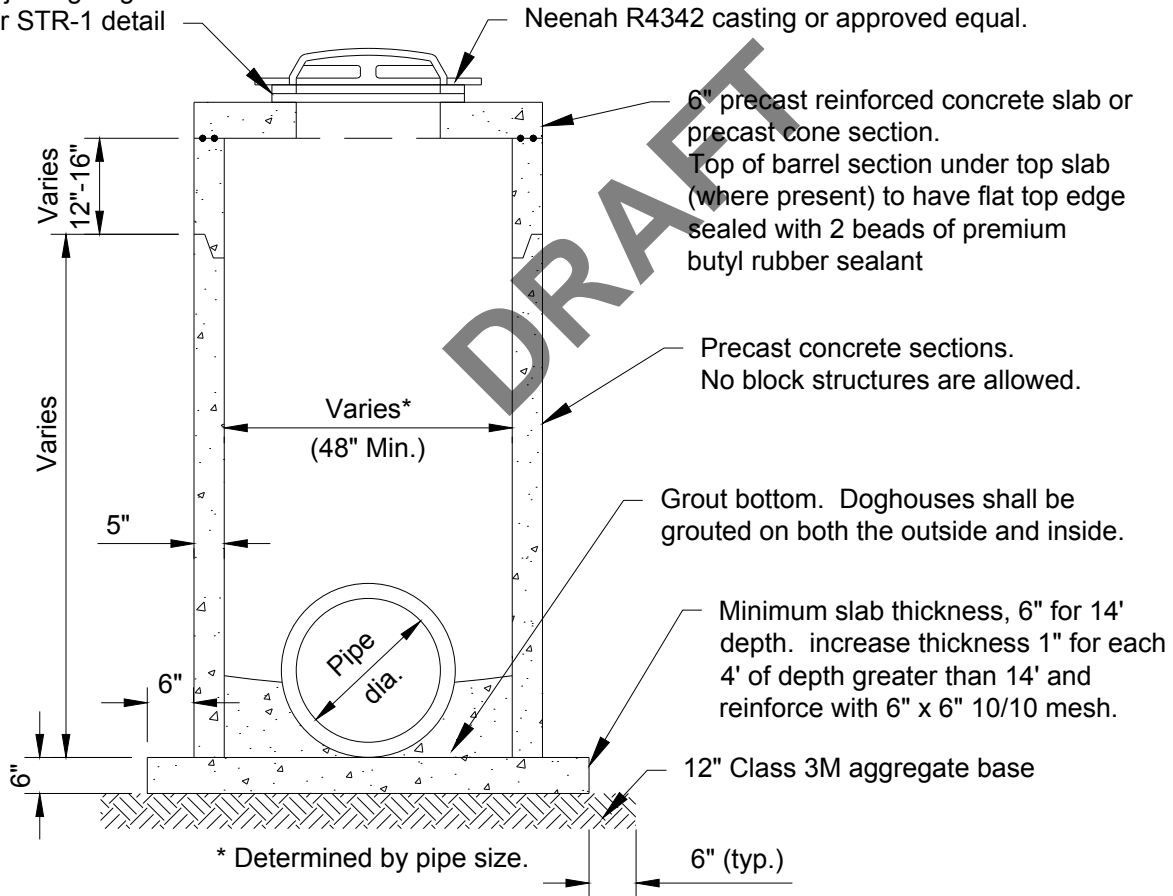


PLAN

Dimension from back of curb to center of pipe	
Manhole diameter	Measurement
4'	9" in from back of curb
5'	3" in from back of curb
6'	3" behind back of curb
7'	9" behind back of curb
8'	15" behind back of curb

Adjusting rings per STR-1 detail



SECTION

C:\Users\traskcaard\Desktop\MINOT DETAIL\SMANHOLE TURF INSTALLATION.dwg

City Plate No.: STO-6A
Last Revision: 4/11/2019
File: STO_6A.dwg

**STANDARD DETAILS
CATCH BASIN MANHOLE
TURF INSTALLATION**

