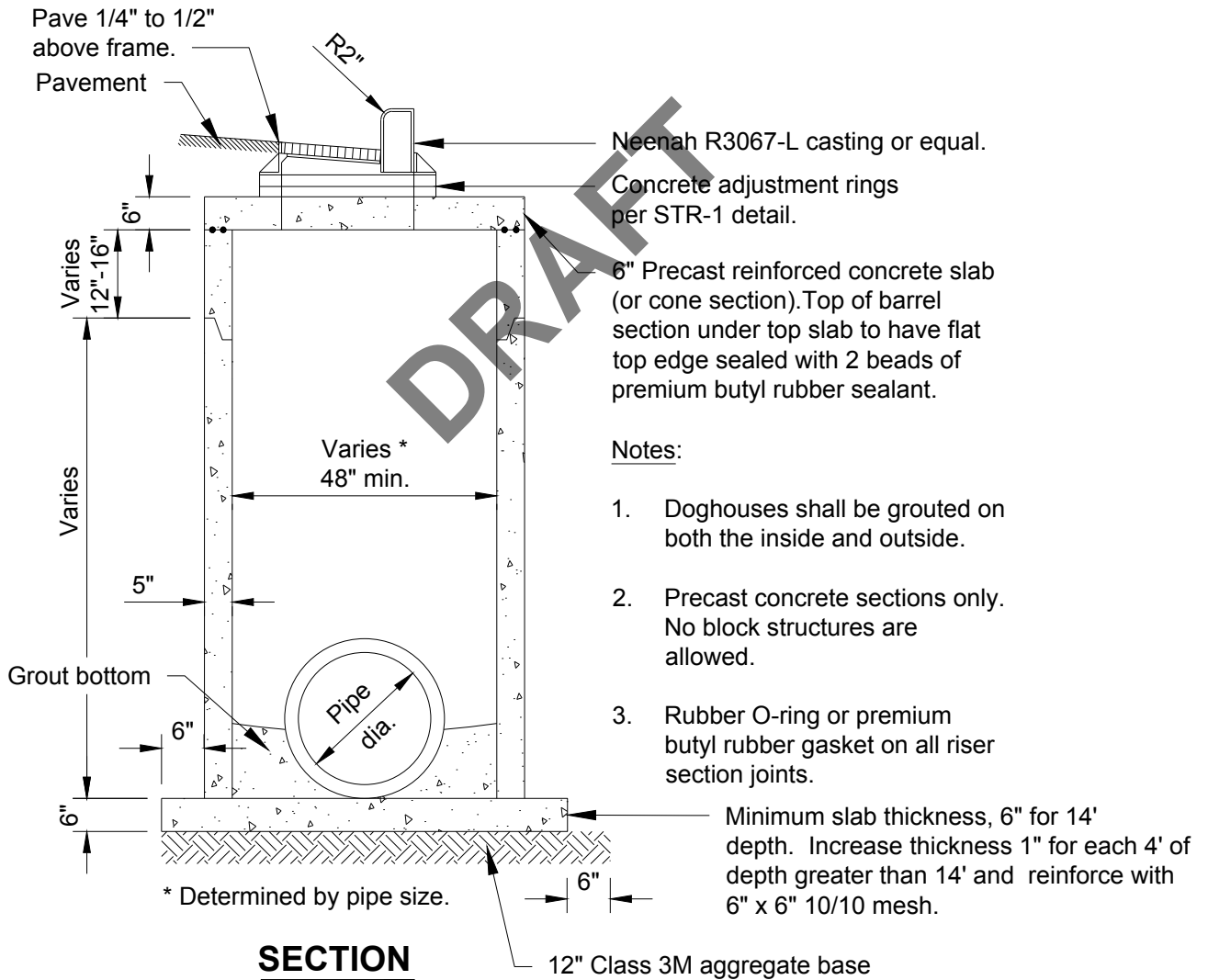


24" X 36" slab opening for Neenah R3067-L or equal.

Dimension from back of curb to center of pipe	
Manhole diameter	Measurement
4'	9" in from back of curb
5'	3" in from back of curb
6'	3" behind back of curb
7'	9" behind back of curb
8'	15" behind back of curb

PLAN



SECTION

C:\Users\skennard\Desktop\MINOT DETAIL\S\CATCH BASIN.dwg

City Plate No.:
STO-6
Last Revision:
4/10/2019
File:
STO_6.dwg

**STANDARD DETAILS
CATCH BASIN MANHOLE
CURB & GUTTER INSTALLATION**

