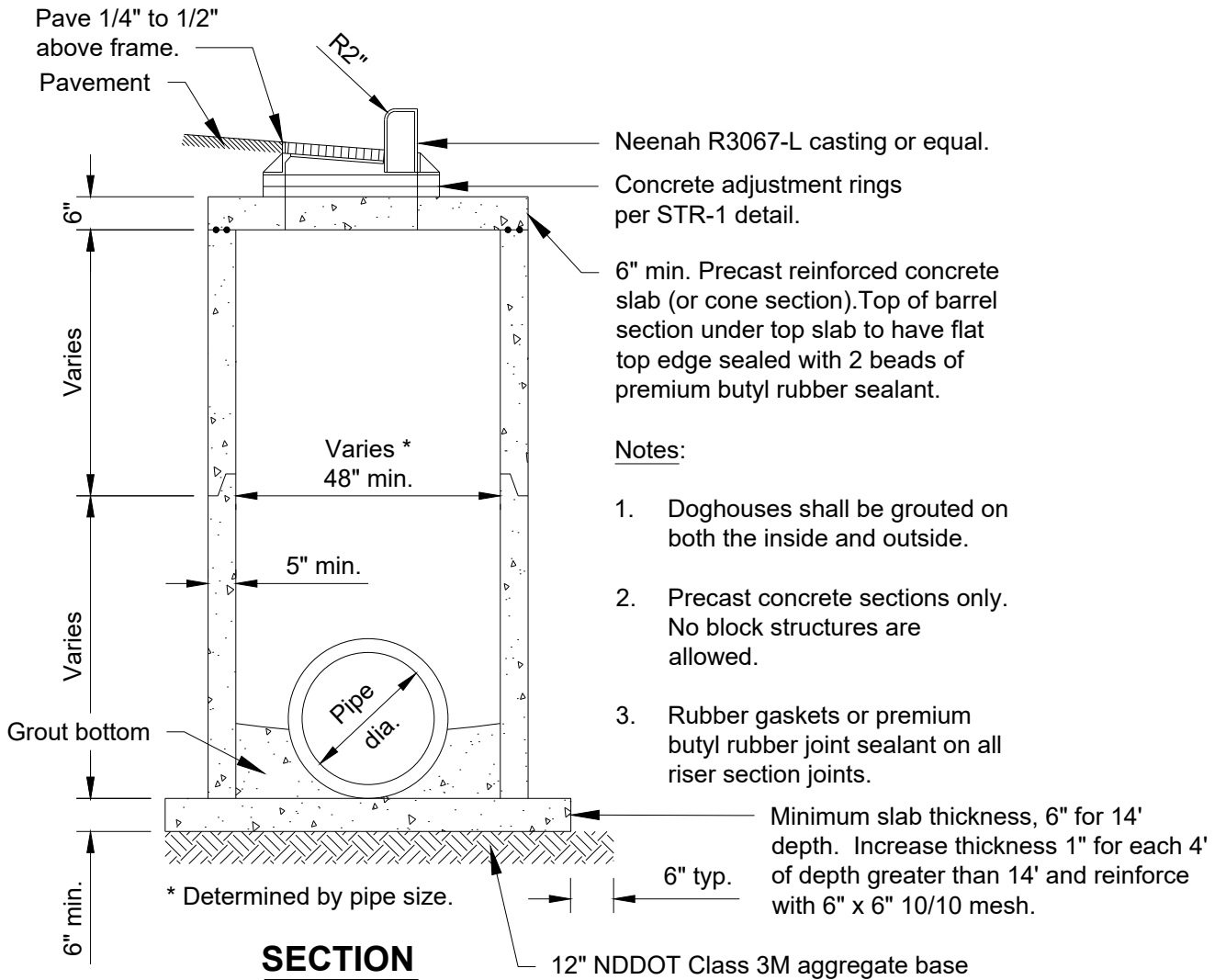


24" X 36" slab opening for Neenah R3067-L or equal.

Dimension from back of curb to center of pipe where cone section is used	
Manhole diameter	Measurement
4'	9" in from back of curb
5'	3" in from back of curb
6'	3" behind back of curb
7'	9" behind back of curb
8'	15" behind back of curb

PLAN



STANDARD SPECS & DETAIL S120191Detail Plates\STO-5_CATCH BASIN MANHOLE CURB AND GUTTER INSTALLATION.dwg

City Plate No.:
STO-5
Last Revision:
6/5/2019
File:
STO_5.dwg

STANDARD DETAILS
CATCH BASIN MANHOLE
CURB & GUTTER INSTALLATION

