

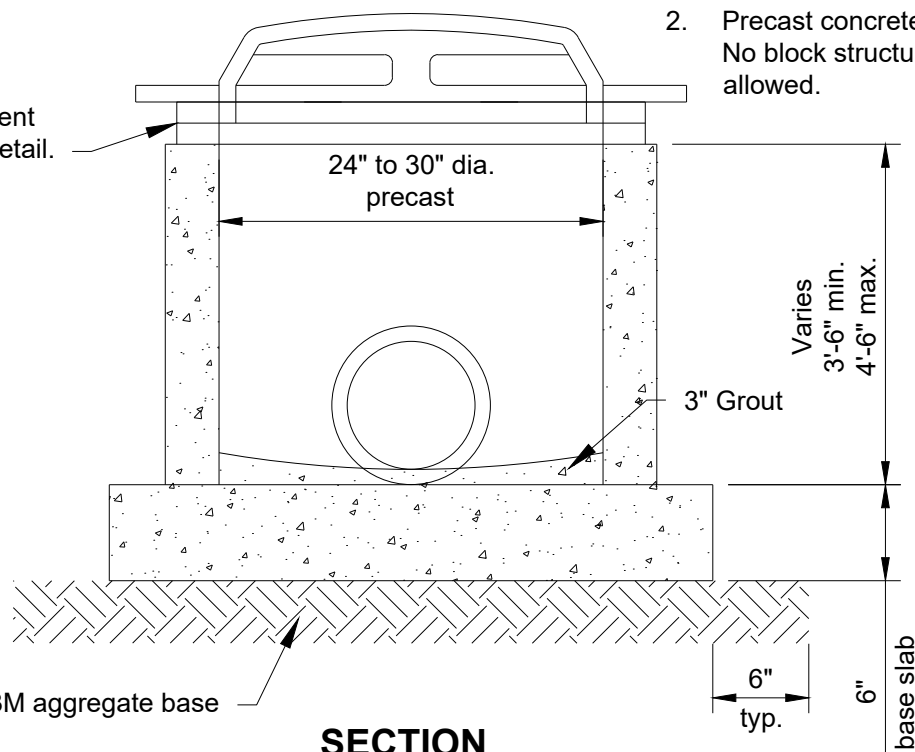
Neenah R4342 casting
or approved equal.

PLAN

Notes:

1. Doghouses shall be grouted on both the inside and outside.
2. Precast concrete sections only. No block structures are allowed.

Concrete adjustment
rings per STR-1 detail.



12" NDDOT Class 3M aggregate base

SECTION

M:\STANDARD SPECS & DETAILS\2019\Detail Plates\STO-4_ROUND INLET TURF INSTALLATION.dwg

City Plate No.:
STO-4
Last Revision:
11/13/2019
File:
STO_4.dwg

**STANDARD DETAILS
ROUND INLET
TURF INSTALLATION**

