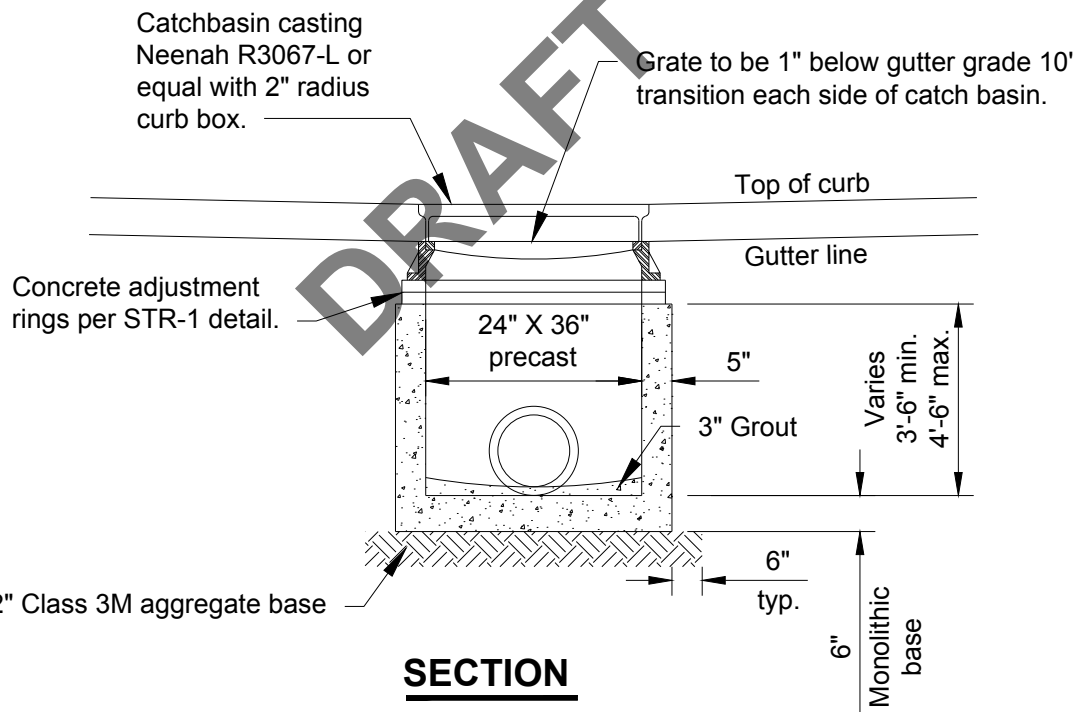


PLAN



SECTION

Notes:

1. Doghouses shall be grouted on both the inside and outside.
2. Precast concrete sections only. No block structures are allowed.

City Plate No.:
STO-5
Last Revision:
4/10/2019
File:
STO_5.dwg

**STANDARD DETAILS
CATCH BASIN
CURB & GUTTER INSTALLATION**

