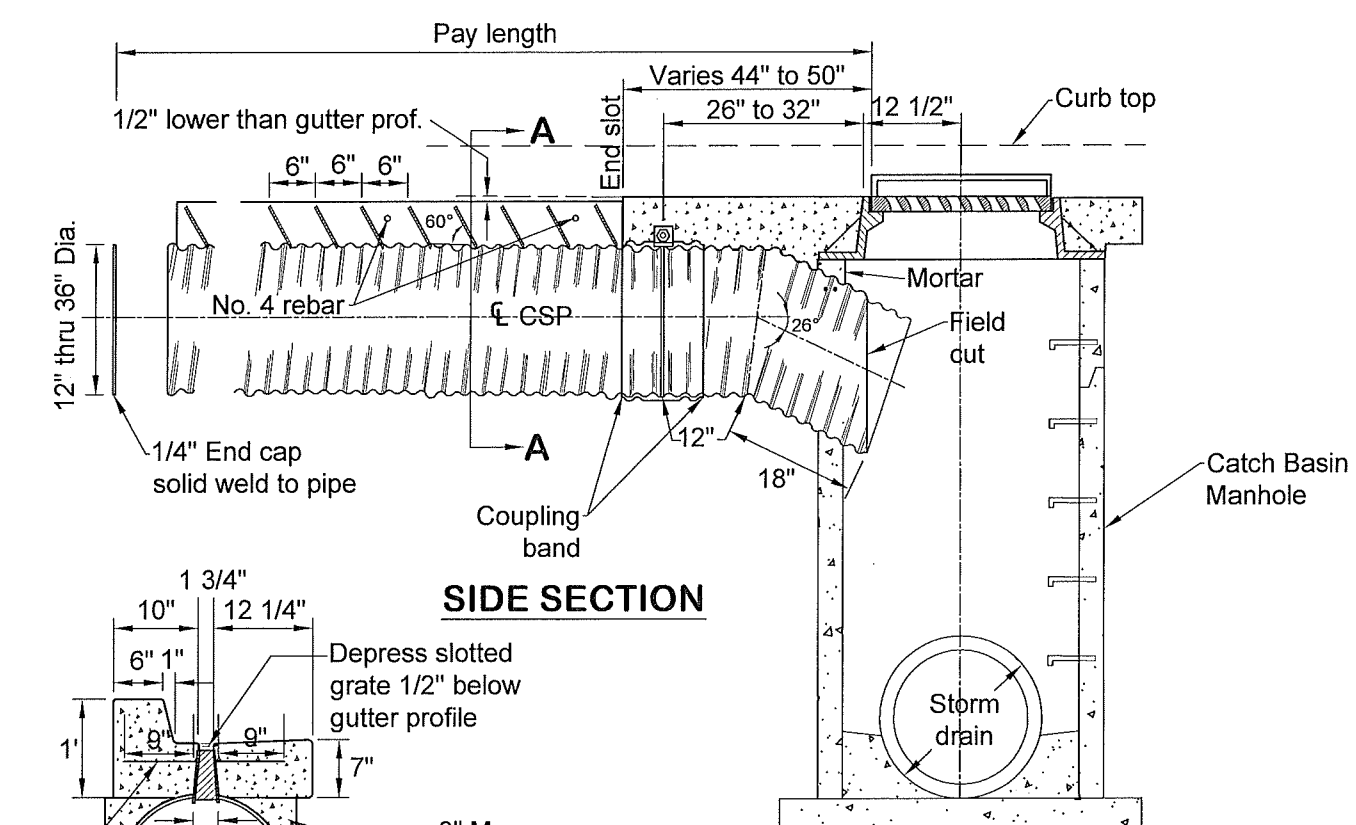
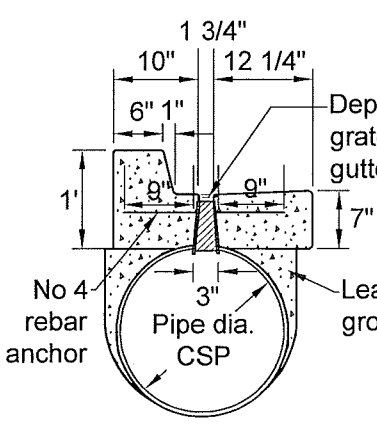


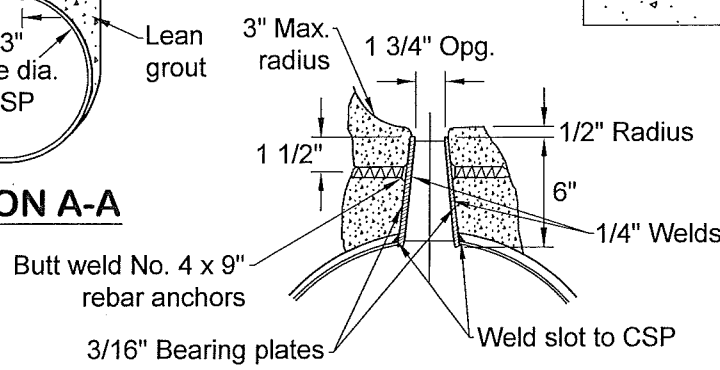
PLAN



SIDE SECTION



SECTION A-A



TYPICAL SECTION

NOTES:

1. All slotted drains must connect to a catch basin manhole.
2. Connection to manhole must be neatly grouted and all voids sealed.

M:\DETAIL_PLATES\STO_8.dwg

City Plate No.: STO-8
Last Revision: 11/10/2009
File: STO-8.dwg

**STANDARD DETAILS
INLET - SLOTTED DRAIN**

