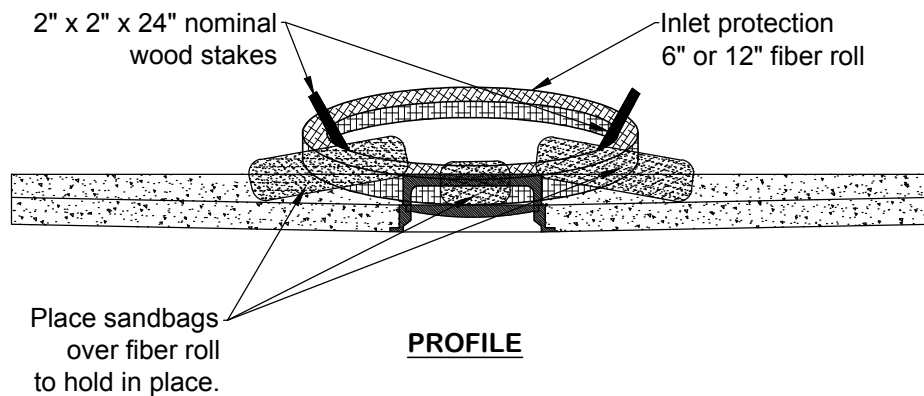
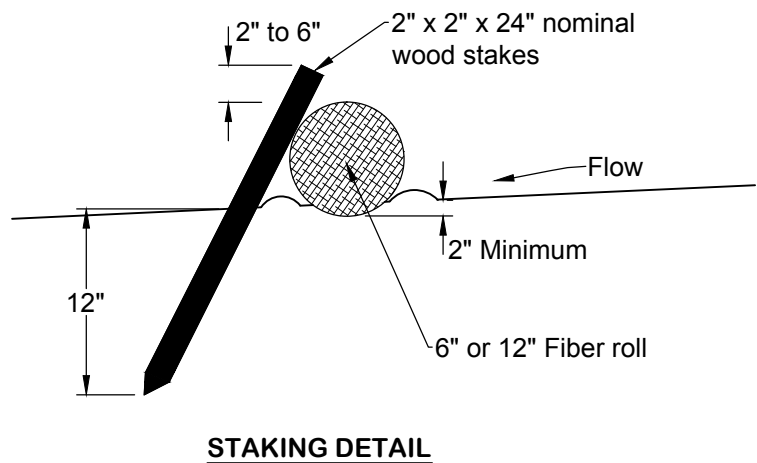
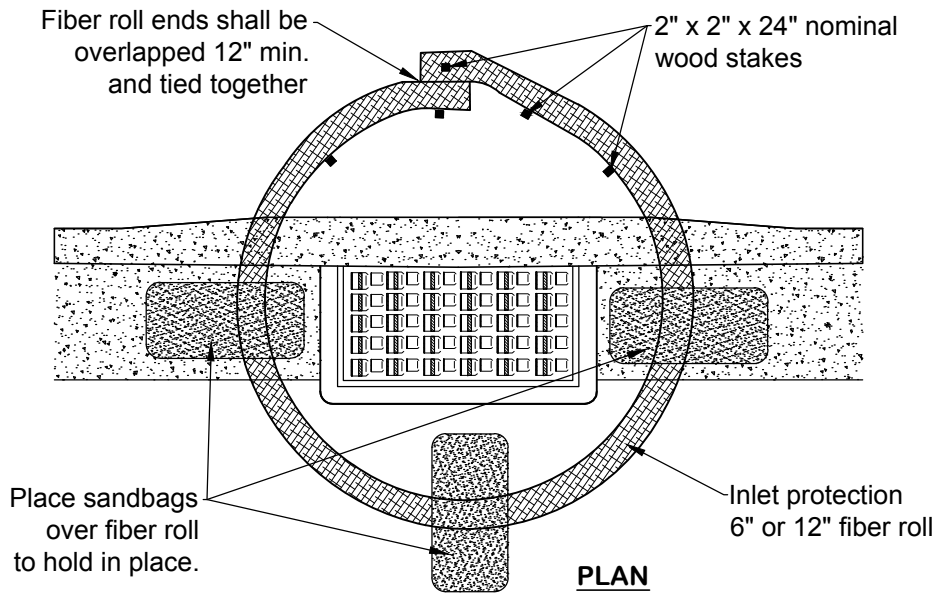


P:\PROJECTS\3378 - 2011 Standard Specifications\Design\Plans & Specifications\2011 Standard Specifications\Detail Plates\ERO\_6.dwg



City Plate No.:  
ERO-6

Last Revision:  
9/24/2010

File:  
ERO\_6.dwg

**STANDARD DETAILS**  
**INLET PROTECTION**  
**FIBER ROLL FOR CATCH BASIN**

**City of Minot**  
ENGINEERING DEPARTMENT